

Eurofitter Datasheet

Product Information
Product Data



Eurofitter: Low Voltage Fitters Aid



Product Features

- Low voltage 24v Keyswitch / Rocker Switch control
- Easy to use and install
- Simple wiring solution for roller shutter installations
- CE Compliant
- Open/Close terminals (eg for keyswitch, rocker switch etc)
- Stop Circuit terminals (eg for safety brakes etc)
- Suitable for EURODRIVE tube motors up to EURO330M/O
- Complete with pre-wired 1.25m flex and UK Plug
- Power ON indicator L.E.D.
- IP54/65 (with suitable cable glands)

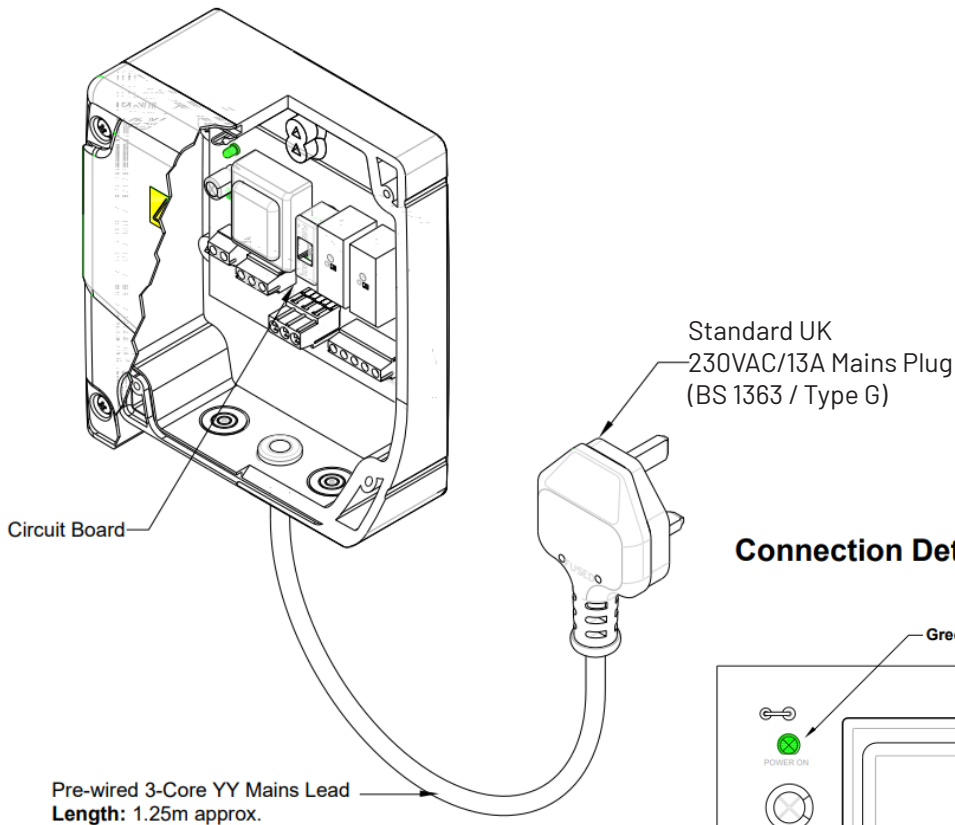
Technical Specification

Power Supply	230VAC \pm 10% / 50Hz
Fuse Protection	6.3A
Control Voltage	24V
I.P. Rating	54/65

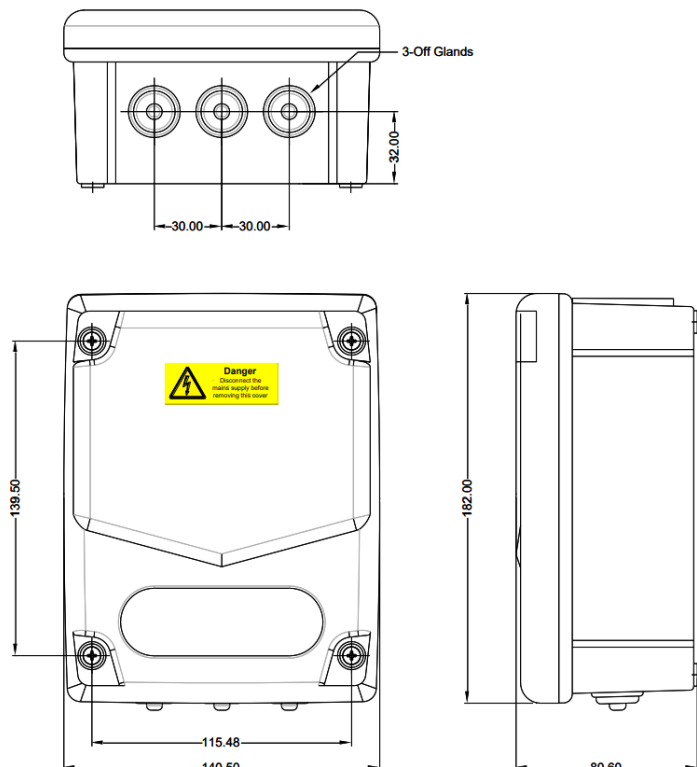
Please Contact Our Sales Department On 01928 579050 For Further Information

Product Specifications

Enclosure Layout:



Enclosure Dimensions:



Connection Details:

