

# Fast Fold Bi-Folding Operator Datasheet

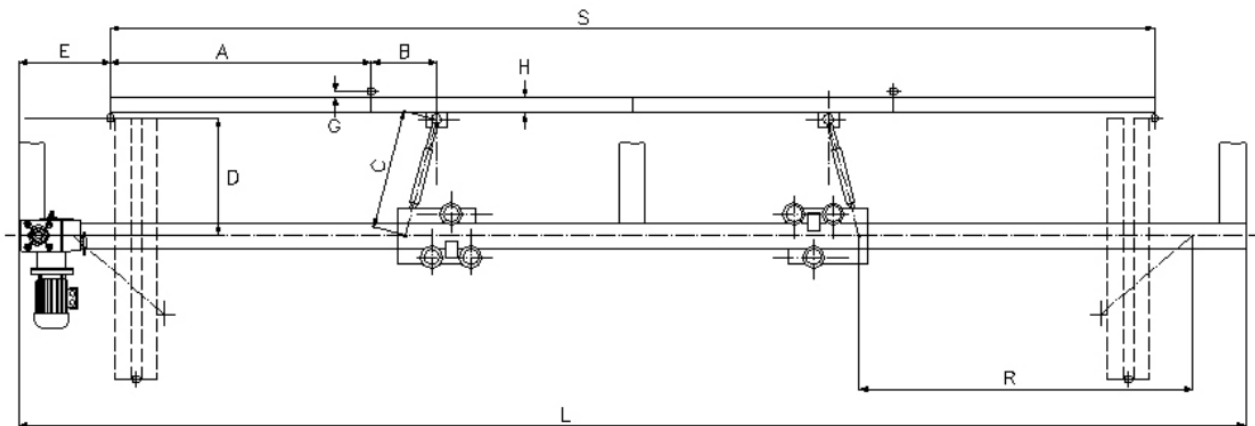
---

Product Information  
Product Dimensions



# Fast Fold Bi-Folding Operator

Marantec UK have a comprehensive range of operators for use on bi-fold doors. The Fastfold system comprises of an industrial duty hollowshaft operator mounted on a smooth running trolley system with controls and auxiliary equipment designed to suit your specific needs providing full and safe operation.



## Product Information

Marantec UK have a comprehensive range of operators for use on bi-fold doors. The Fastfold system comprises of an industrial duty hollowshaft operator mounted on a smooth running trolley system with controls and auxiliary equipment designed to suit your specific needs providing full and safe operation.

**A = mm**

**K = A / 1000**

A	B	C	D	E	R	L	G	H	S
	K x 250	K x 460	K x 450	K x 150 + 200	K x 1280	S + 2 x E			

**Please Contact Our Sales Department On 01928 579050 For Further Information**