

# EN54-3 Sounder Datasheet

---

Product Information

Product Data

Product Dimensions



# EN54-3 Sounder

## Product Description

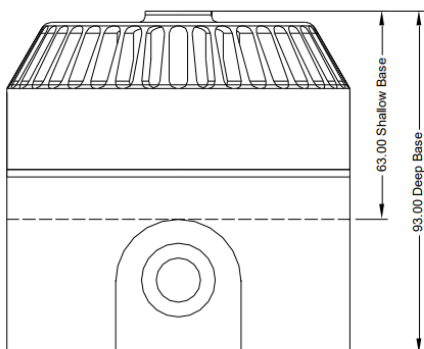
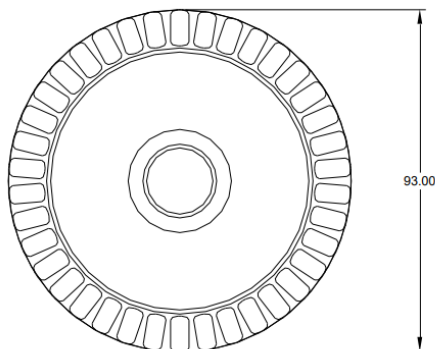


The EN54-3 is the fire alarm markets leading conventional sounder, although it finds uses in many applications, such as security, general signalling and process alarms.

With its recognisable body, wide operating voltage and international reputation for quality, the EN54-3 is a flexible sounder suitable for use in most applications.

## Product Features

- Compact, ultra-modern sleek appearance
- Surface or box mount with rear entry cable
- Weatherproof to IP67 (with cable connector)
- White, high-quality polycarbonate housing
- Vandal-resistant safety locking mechanism



Voltage	9-15Vdc 18-28Vdc
Current	12mA (Typical Tone 3)
Sound Output	102dB(A) (Typical Tone 3)
Tones	32
Volume	Control 10dB
Monitoring	Reverse polarity
Temperature	- 25°C to + 70°C
Protection	IP54 (Shallow Base) IP65 (Deep Base)
Construction	ABS
Weight	0.25Kg
Colour	Red

Please Contact Our Sales Department On 01928 579050 For Further Information