

# AP4 Pushbutton Station Datasheet

---

Product Information  
Product Data



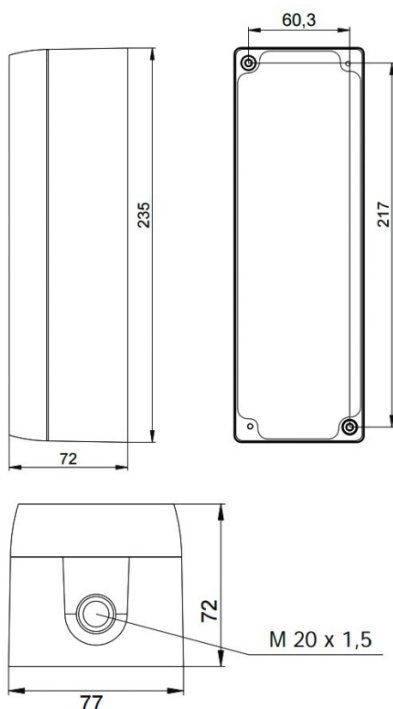
# AP4 Locking Pushbutton Station

The AP4 comes with an aluminium cover and has a mechanical shift block to prevent violent entry. The cable can be led into the switch from either the bottom, top or back, where needed. There is plenty of space inside for thicker cables. The built-in switch is renowned for its quality and durability. These switches are available with one or two way momentary / maintained functions. European cylinders manufactured according to DIN 18252. The Key switches are ideal for surface or flush installation due to the interchangeable aluminium.



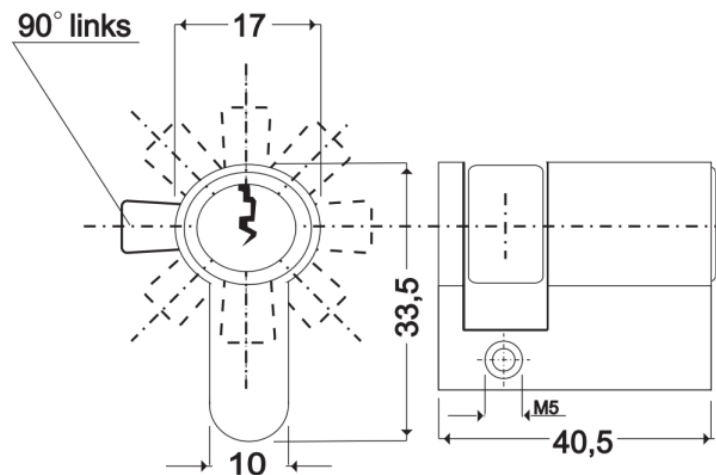
## Product Features

- One way momentary
- OFF - ON with push-buttons
- OPEN - CLOSE - STOP
- Key removable in any position
- The Key switches are ideal for surface or flush installation due to the interchangeable aluminium.



Profile semi-cylinders of all makes in accordance with DIN 18252 with each in any position.

Cables can be easily led in to the pushbutton station, via entries from the top, bottom or back.



Voltage Rating	230 VAC
Motor Voltage	230 VAC
AMP Rating	16A
1ph Connection	1-phase 1-pole to 1.5kW = 6.5A   1-phase 2-pin to 2.2kW = 9.5A
IP Rating	IP 55