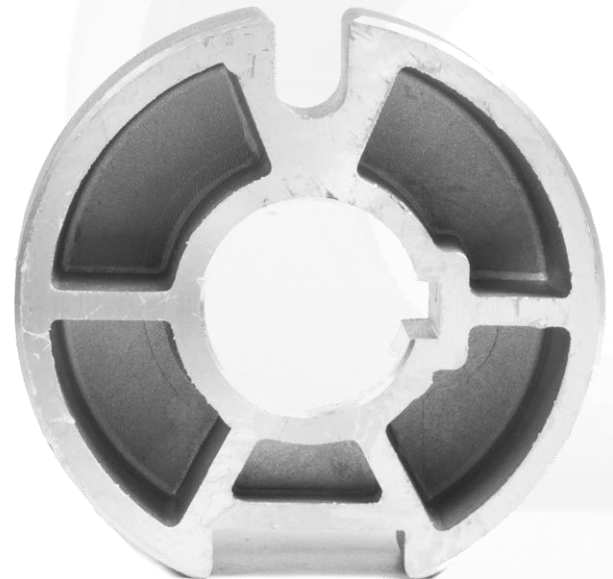




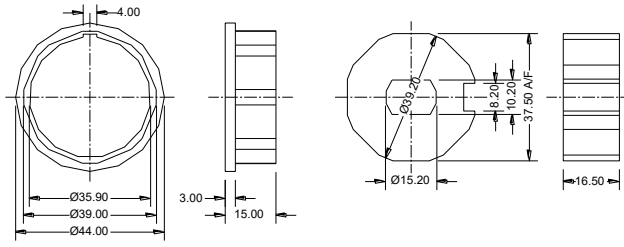
TUBE MOTOR CATALOGUE

EURODRIVE ADAPTORS

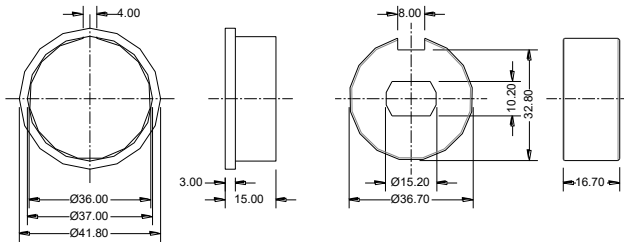


EURODRIVE Adaptors

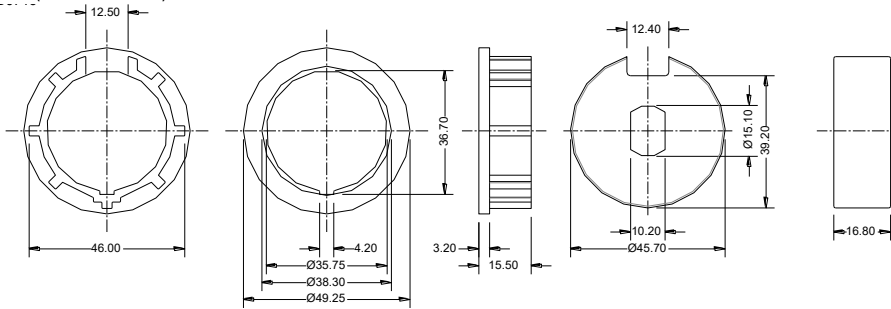
ED0711 (to suit EURO12W/O)



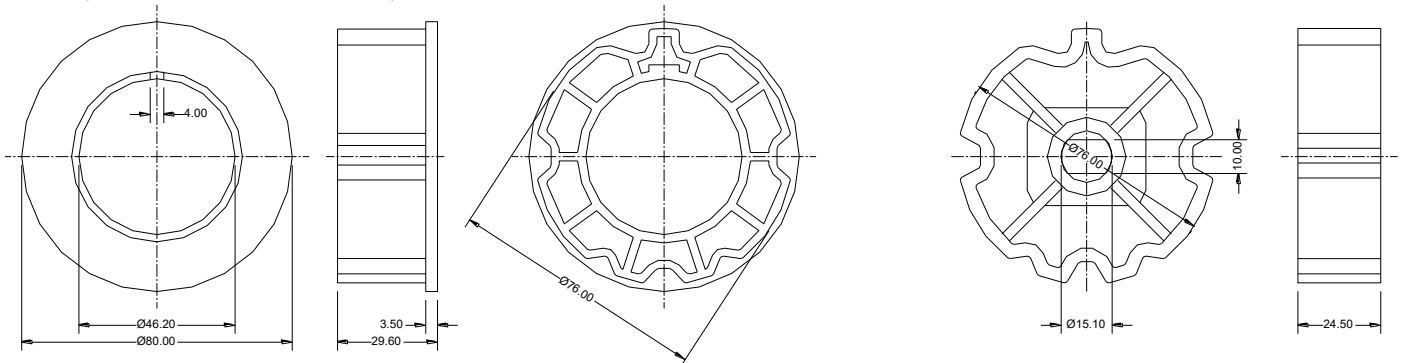
ED0715 (to suit EURO12W/O)



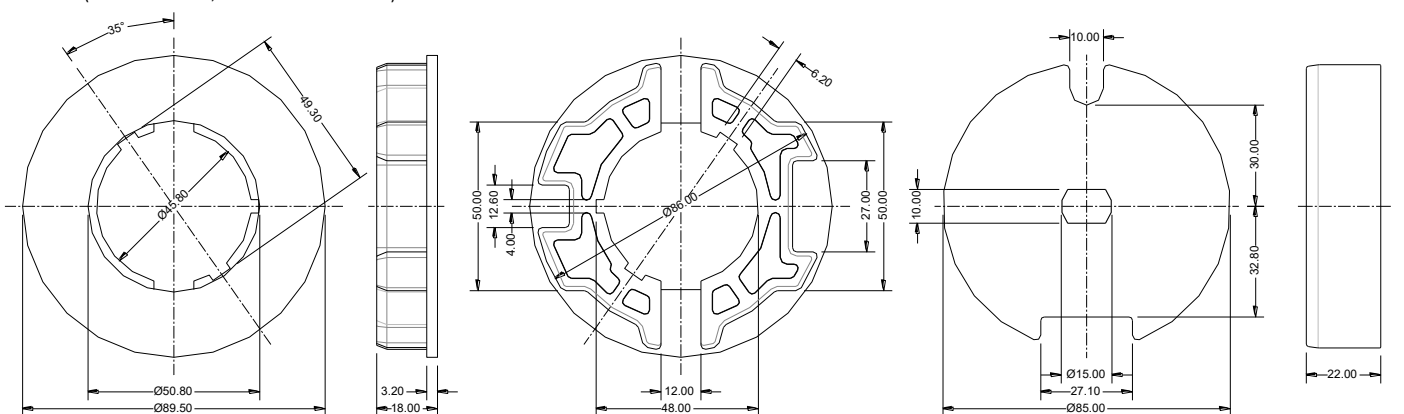
ED0716 (to suit EURO12W/O)



ED0903 (to suit EURO20W/O, EURO50W/O & EURO60M/O)

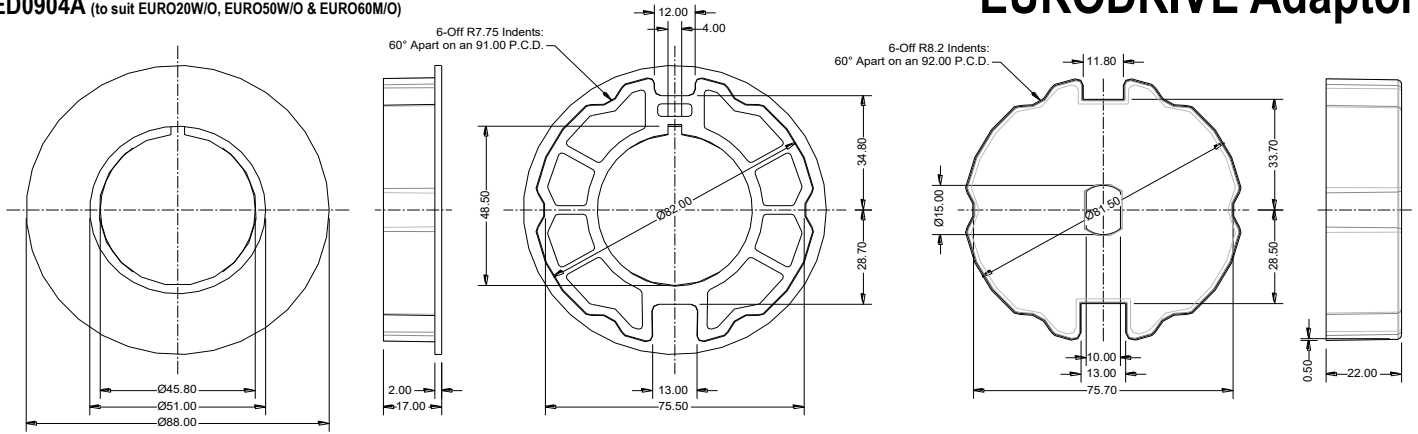


ED0904 (to suit EURO20W/O, EURO50W/O & EURO60M/O)

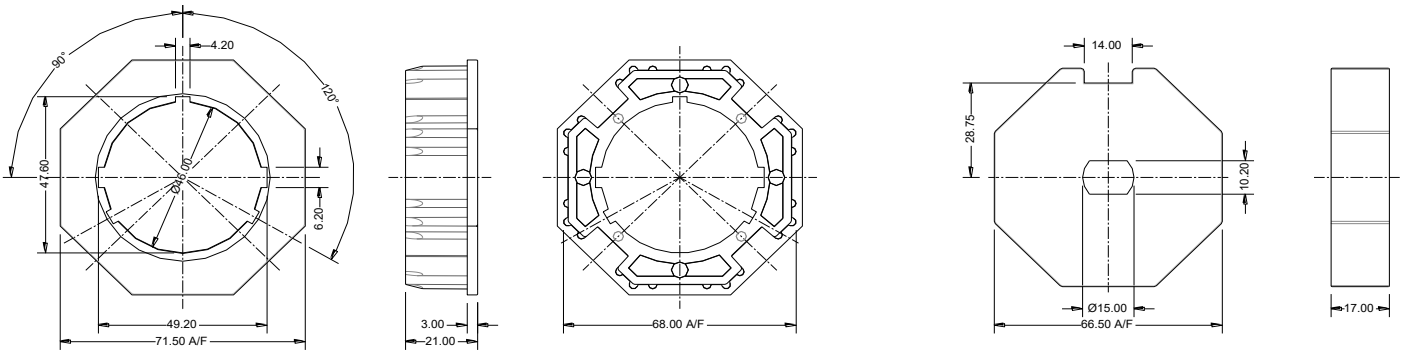


EURODRIVE Adaptors

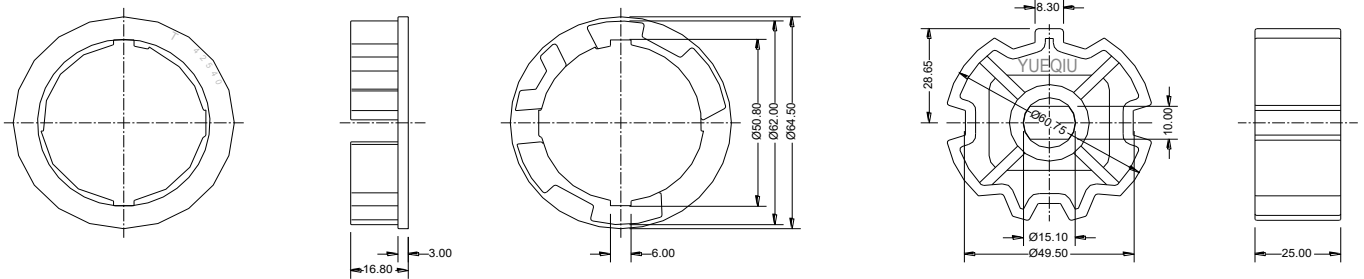
ED0904A (to suit EURO20W/O, EURO50W/O & EURO60M/O)



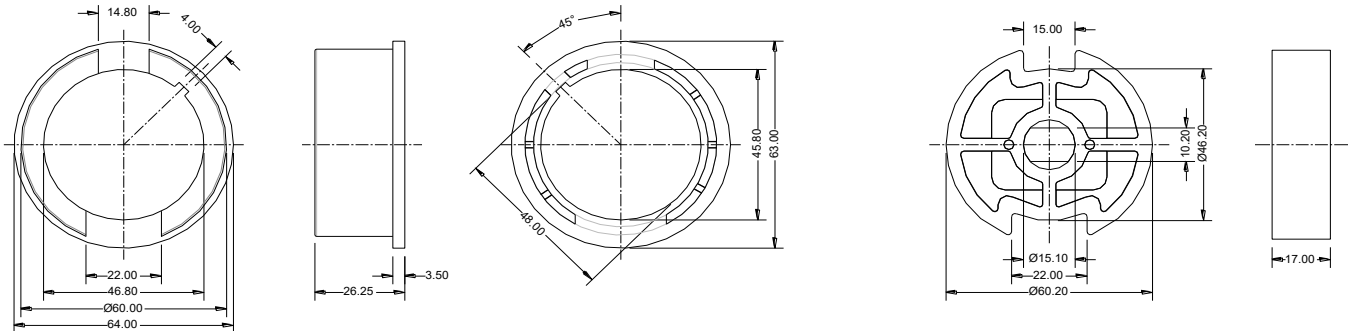
ED0912 (to suit EURO20W/O, EURO50W/O & EURO60M/O)



ED0913 (to suit EURO20W/O, EURO50W/O & EURO60M/O)



ED0914 (to suit EURO20W/O, EURO50W/O & EURO60M/O)

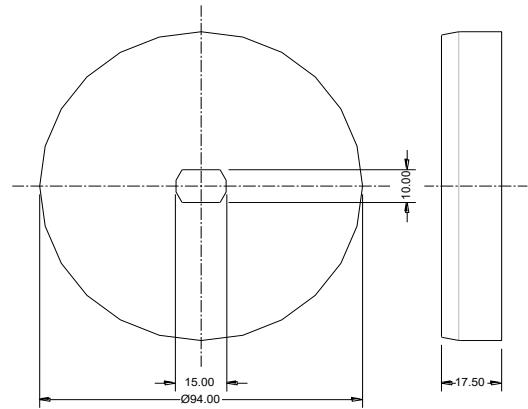
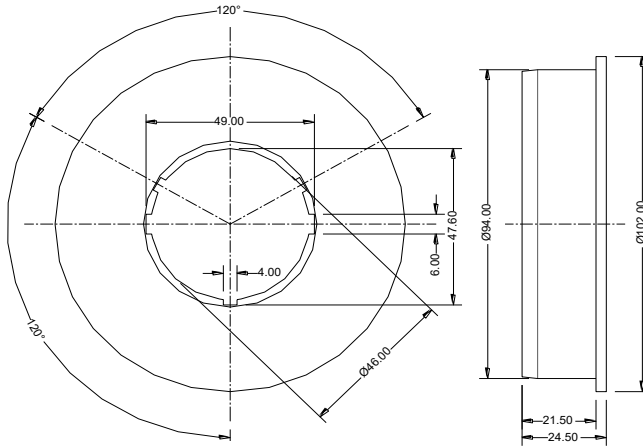


ED0916 (to suit EURO20W/O, EURO50W/O & EURO60M/O)

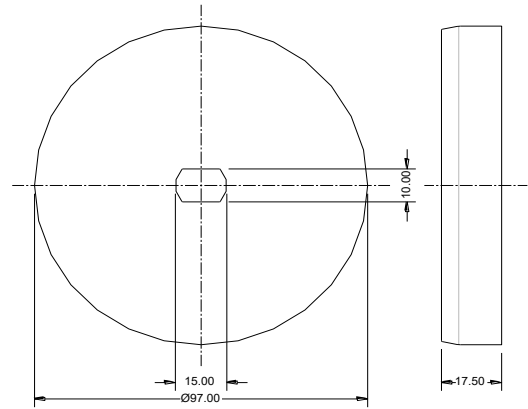
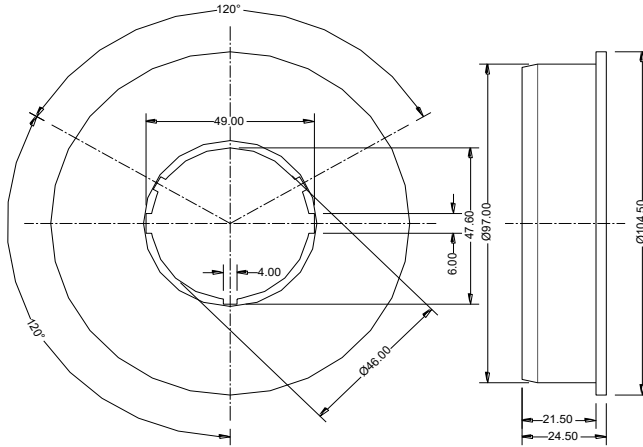


EURODRIVE Adaptors

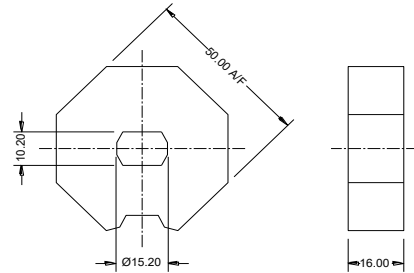
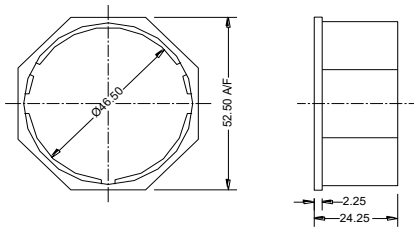
ED0920 (to suit EURO20W/O, EURO50W/O & EURO60M/O)



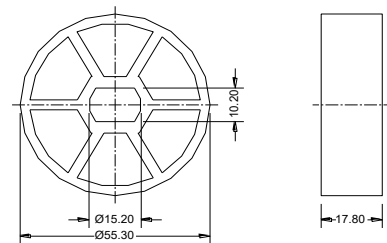
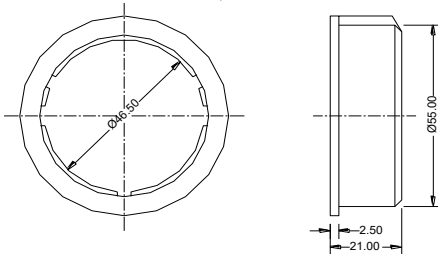
ED0930 (to suit EURO20W/O, EURO50W/O & EURO60M/O)



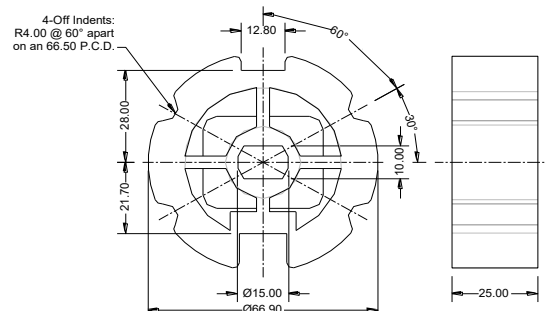
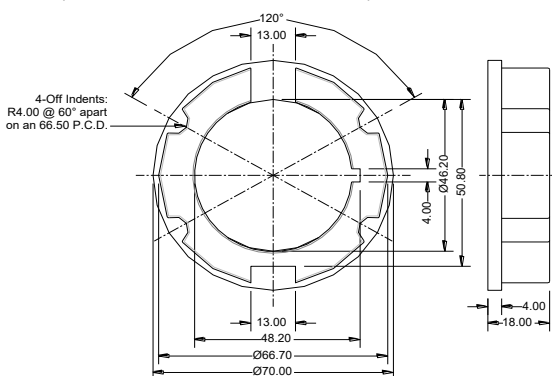
ED0949 (to suit EURO20W/O, EURO50W/O & EURO60M/O)



ED0956 (to suit EURO20W/O, EURO50W/O & EURO60M/O)



ED0966 (to suit EURO20W/O, EURO50W/O & EURO60M/O)

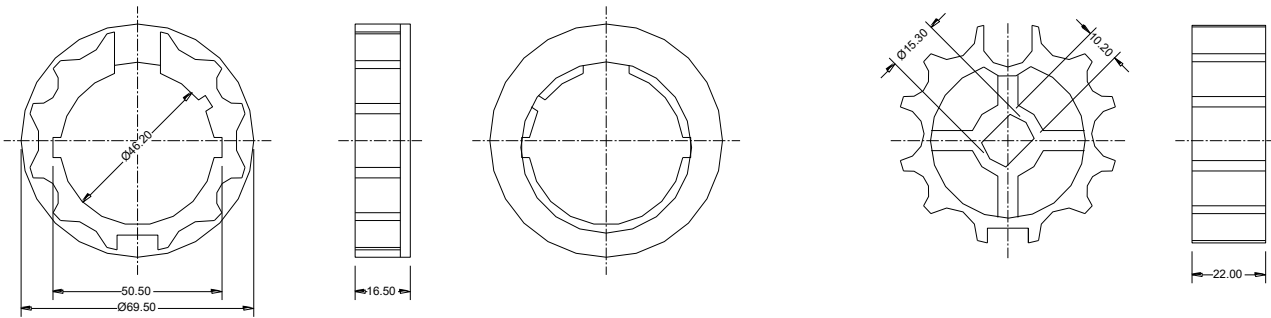


EURODRIVE Adaptors

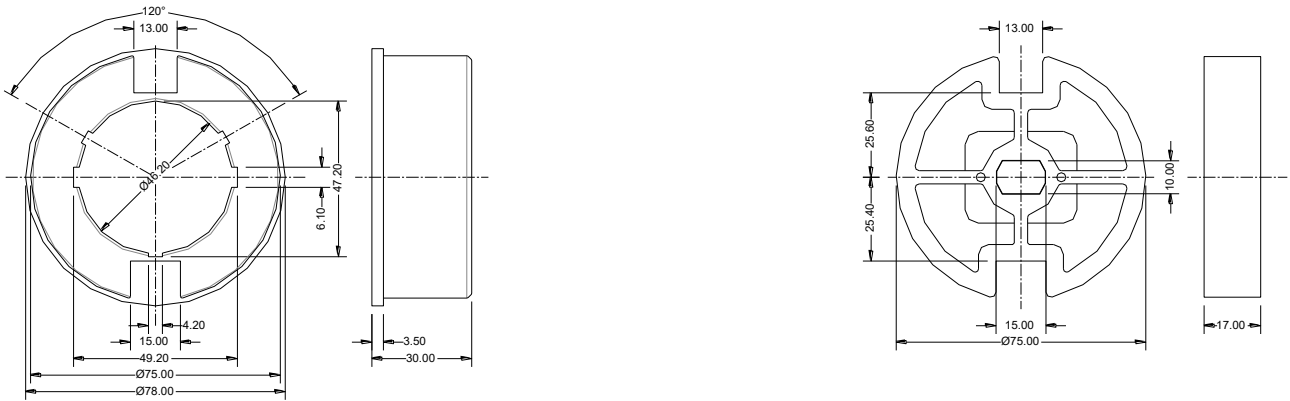
ED0967 (to suit EURO20W/O, EURO50W/O & EURO60M/O)



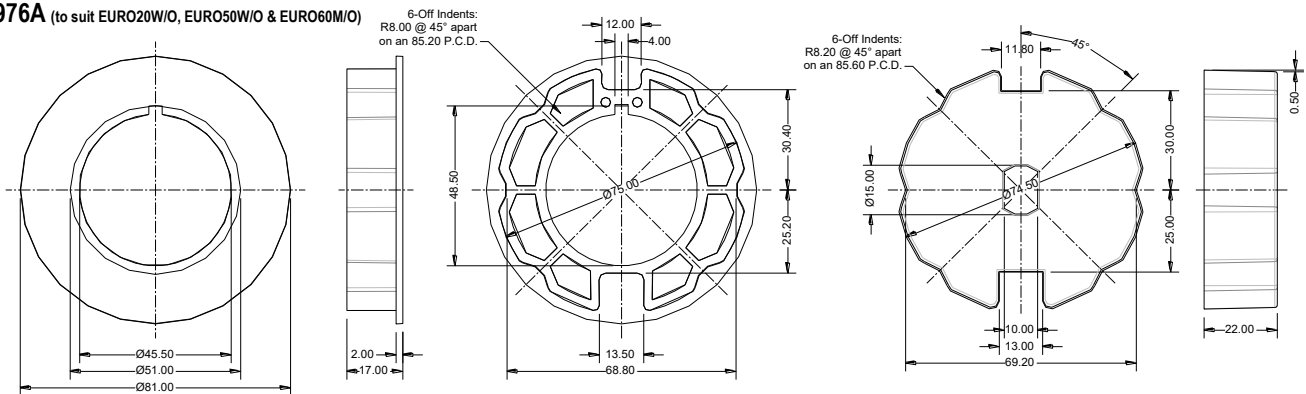
ED0968 (to suit EURO20W/O, EURO50W/O & EURO60M/O)



ED0976 (to suit EURO20W/O, EURO50W/O & EURO60M/O)

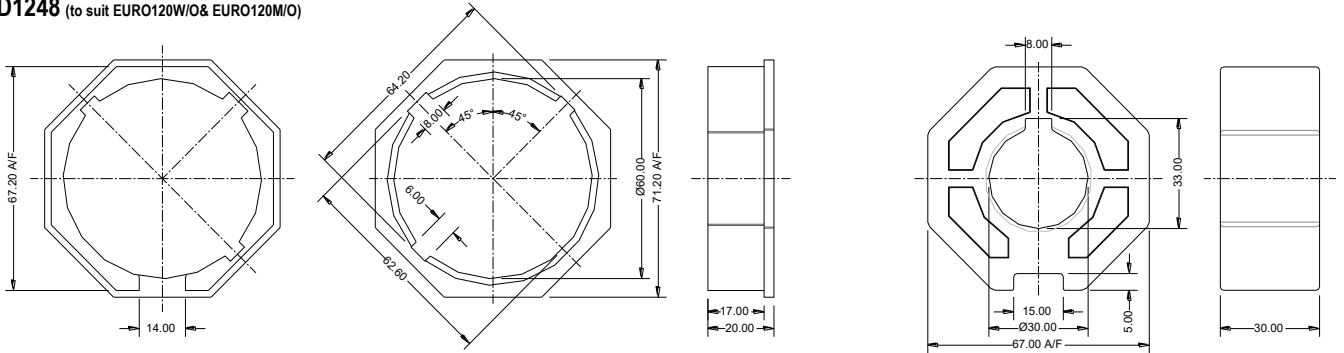


ED0976A (to suit EURO20W/O, EURO50W/O & EURO60M/O)

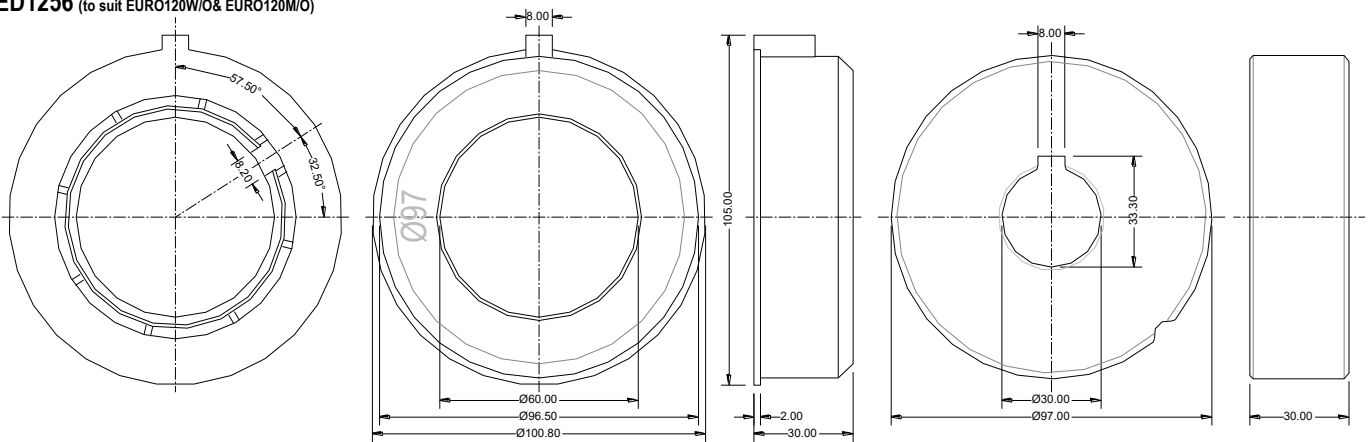


EURODRIVE Adaptors

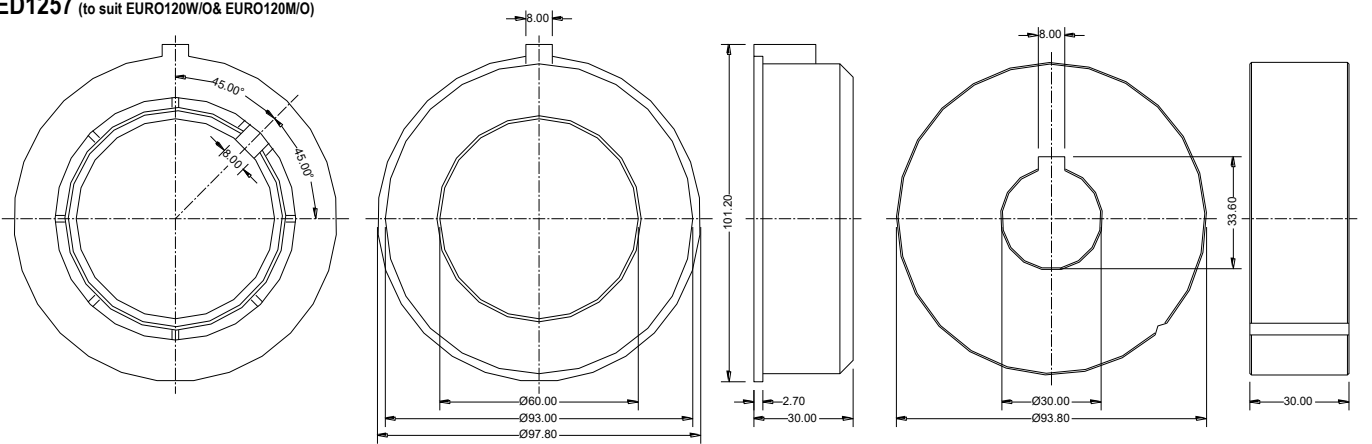
ED1248 (to suit EURO120W/O& EURO120M/O)



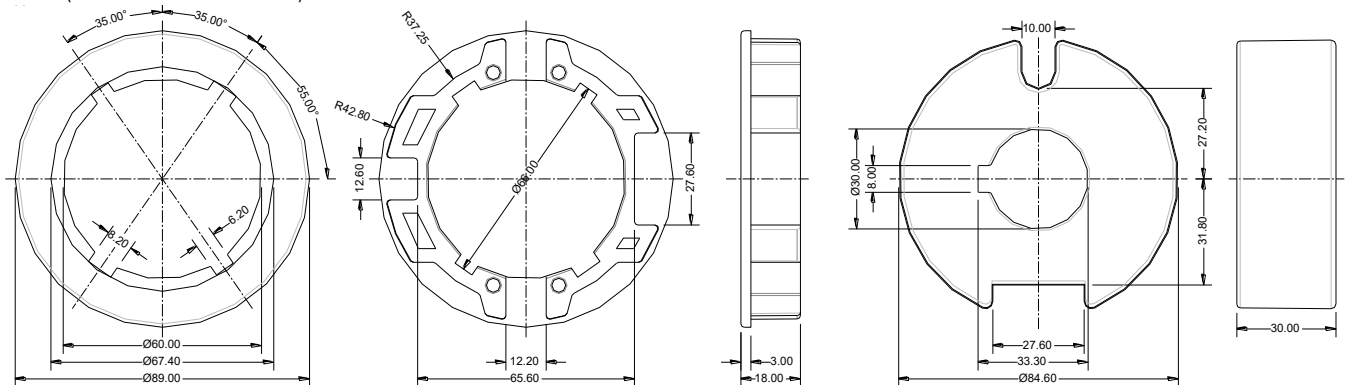
ED1256 (to suit EURO120W/O& EURO120M/O)



ED1257 (to suit EURO120W/O& EURO120M/O)

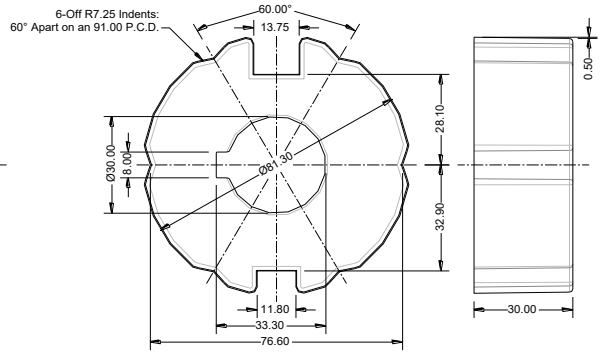
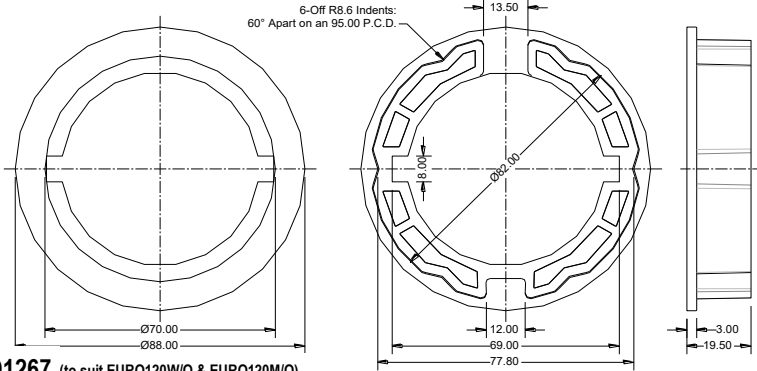


ED1266 (to suit EURO120W/O& EURO120M/O)

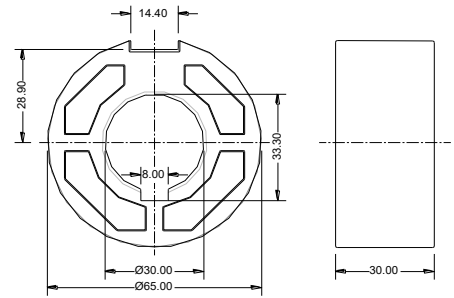
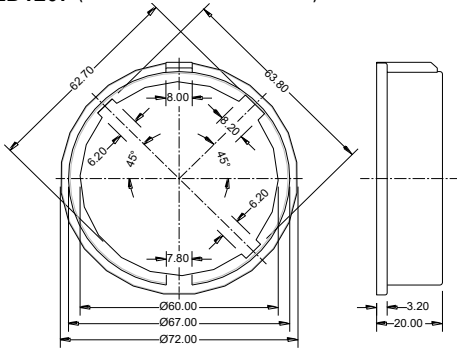


EURODRIVE Adaptors

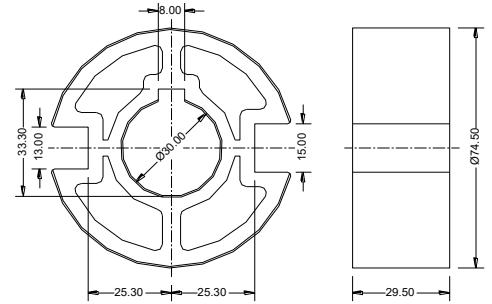
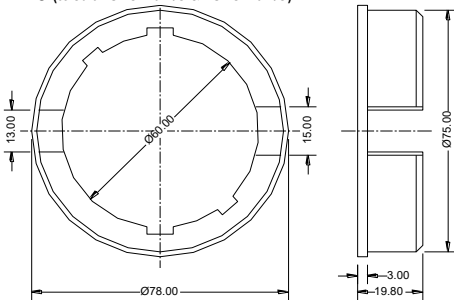
ED1266A (to suit EURO120W/O & EURO120M/O)



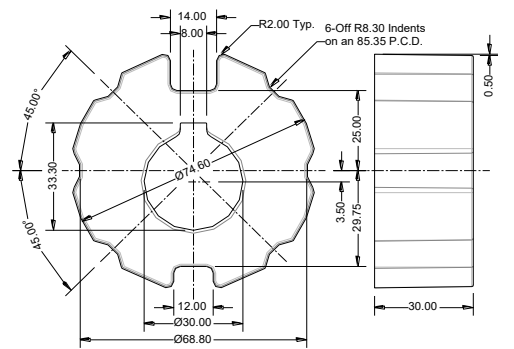
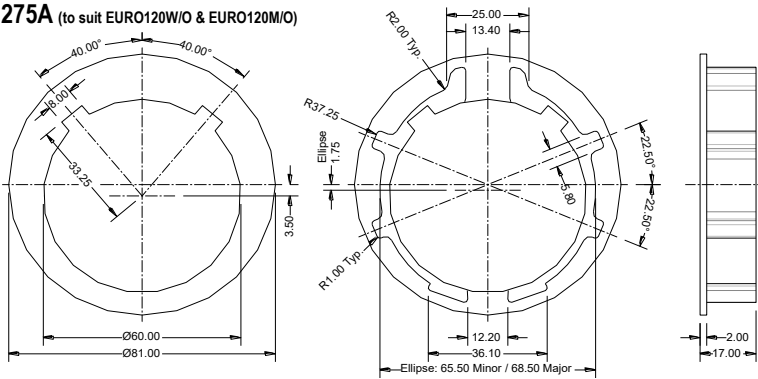
ED1267 (to suit EURO120W/O & EURO120M/O)



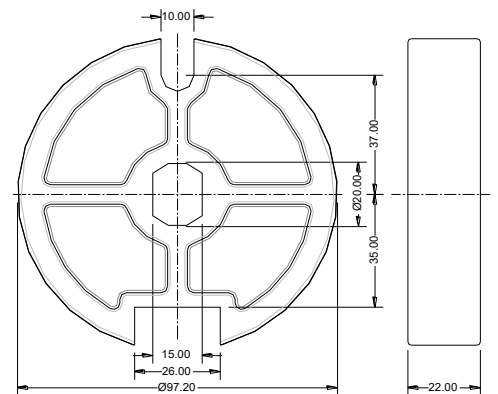
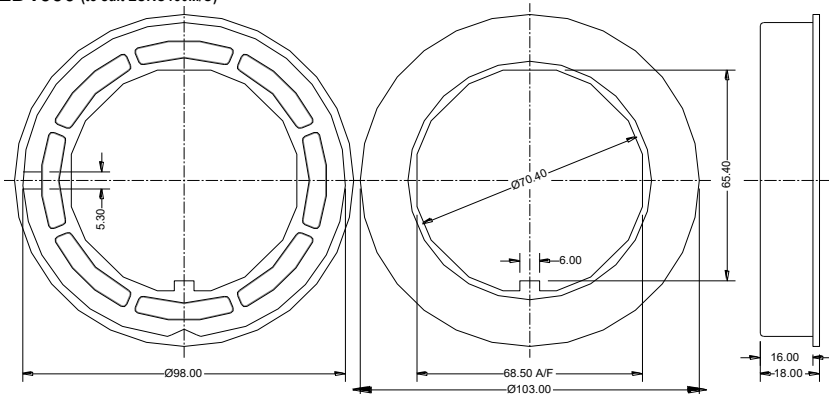
ED1275 (to suit EURO120W/O & EURO120M/O)



ED1275A (to suit EURO120W/O & EURO120M/O)

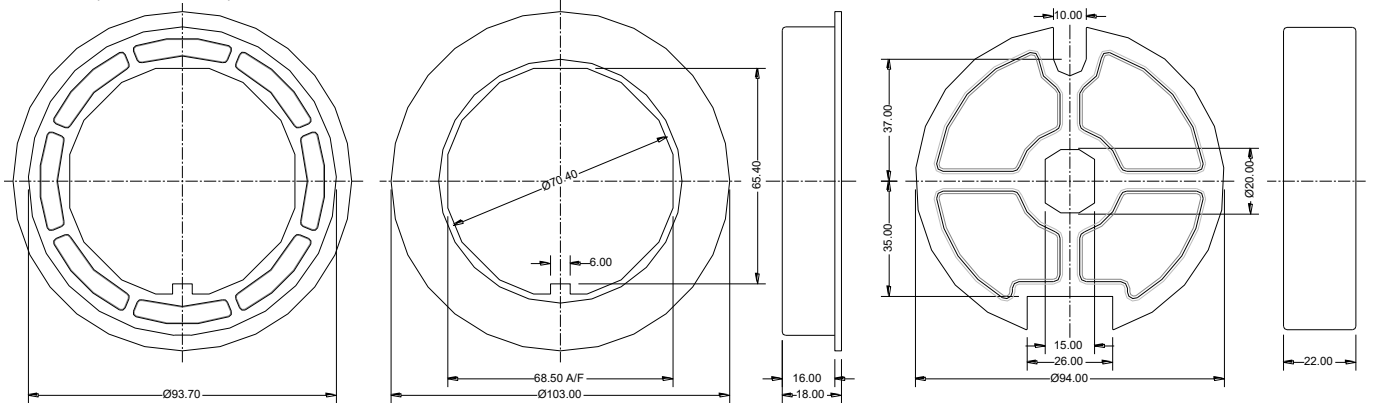


ED1556 (to suit EURO150M/O)

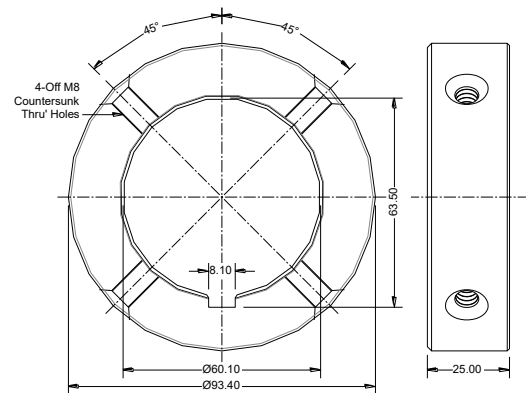


EURODRIVE Adaptors

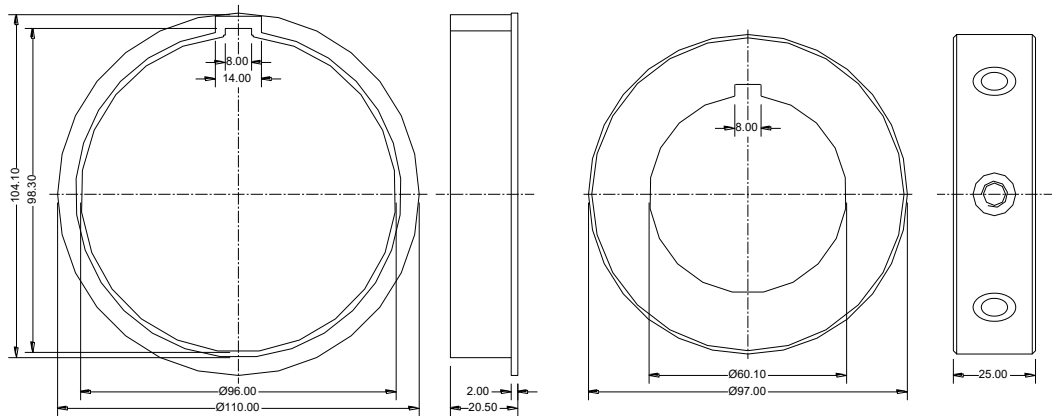
ED1557 (to suit EURO150M/O)



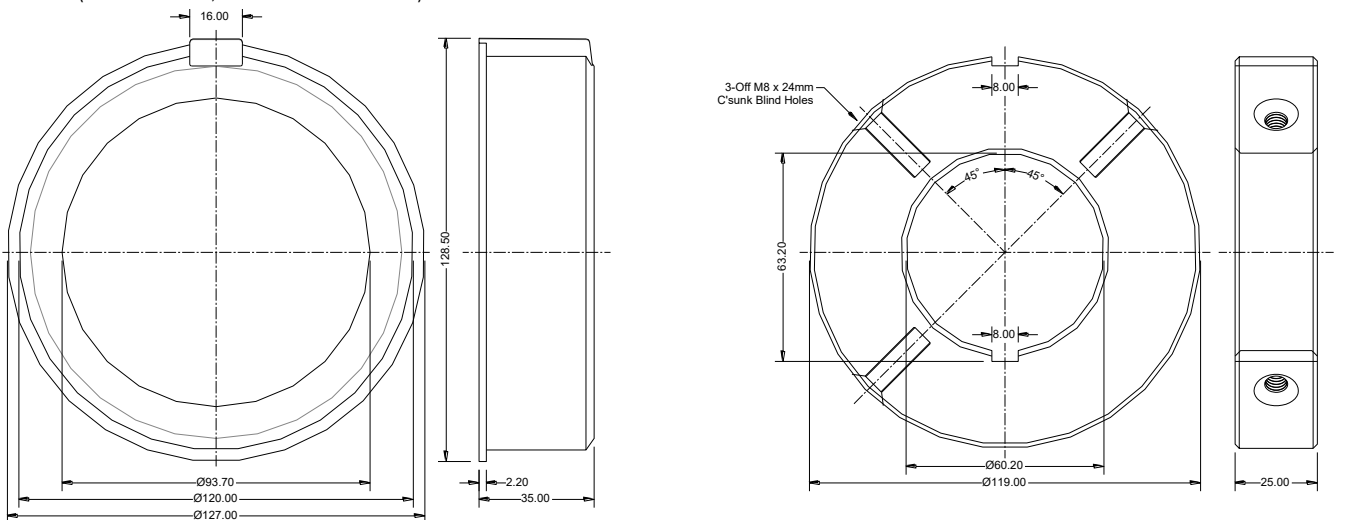
ED3500A (to suit EURO230M/O, JK/100/230FMM & EURO330M/O)



ED3501A (to suit EURO230M/O, JK/100/230FMM & EURO330M/O)

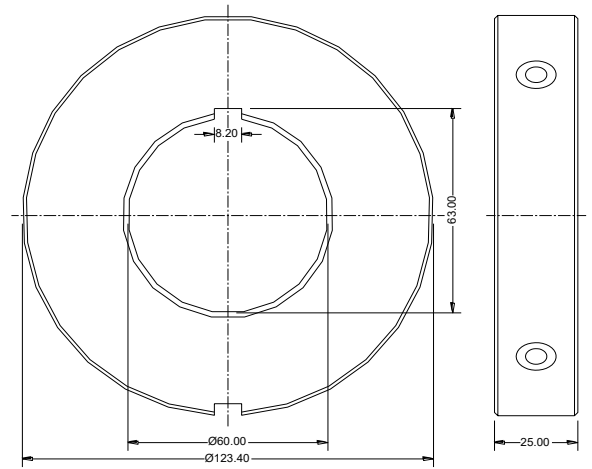
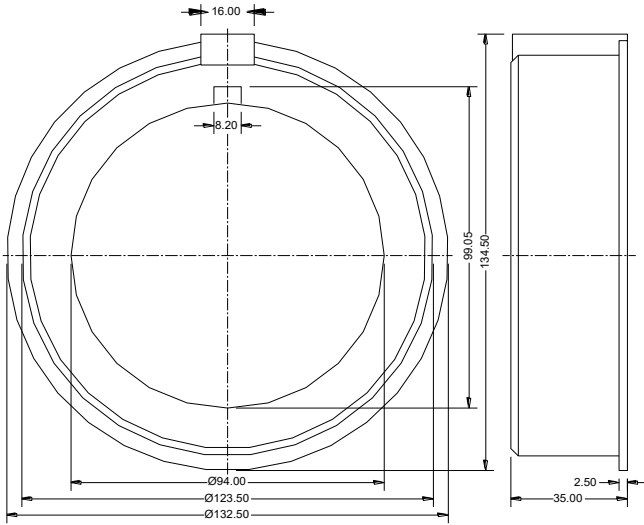


ED3506A (to suit EURO230M/O, JK/100/230FMM & EURO330M/O)

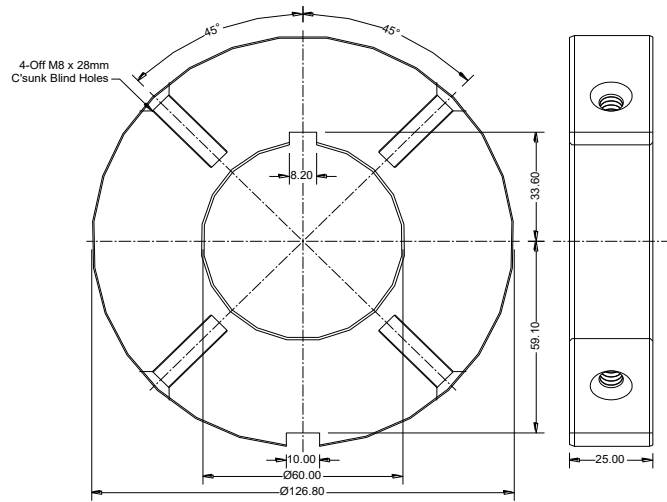
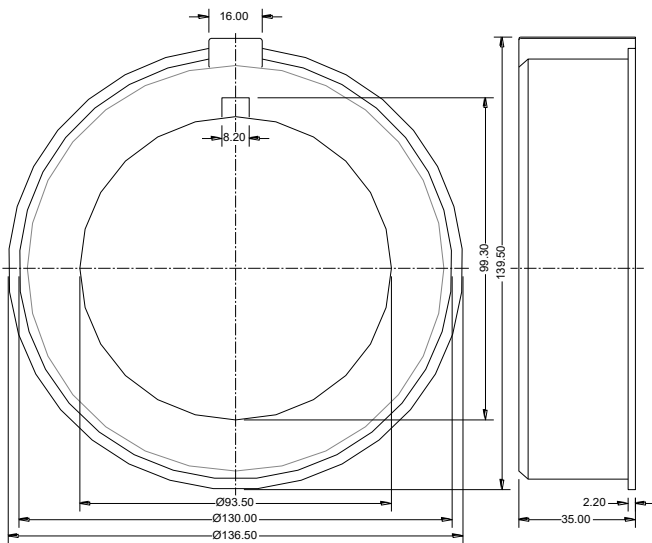


EURODRIVE Adaptors

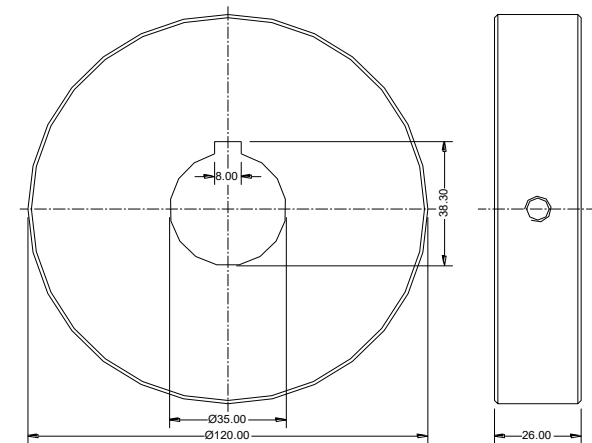
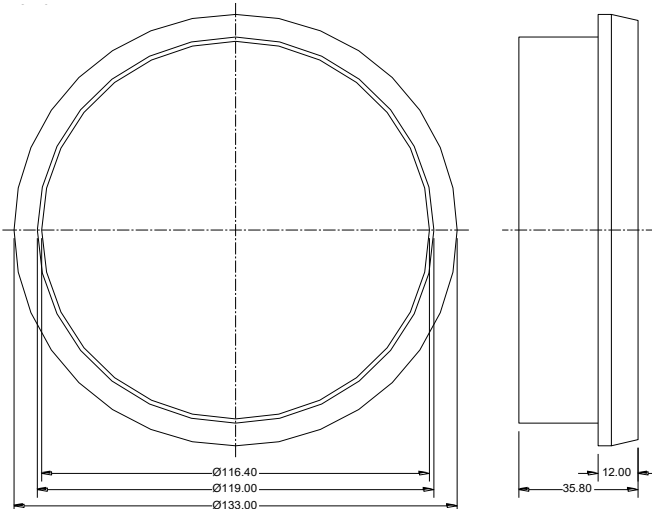
ED3510A (to suit JK/100/230FMM & EURO330M/O)



ED3515A (to suit JK/100/230FMM & EURO330M/O)

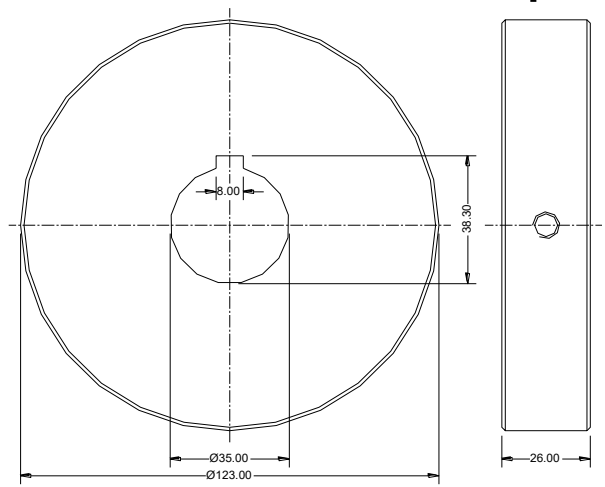
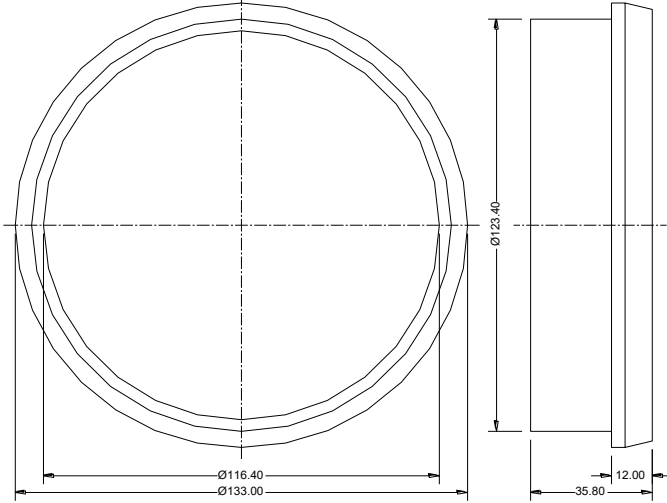


ED5120 (to suit EURO500M/O)

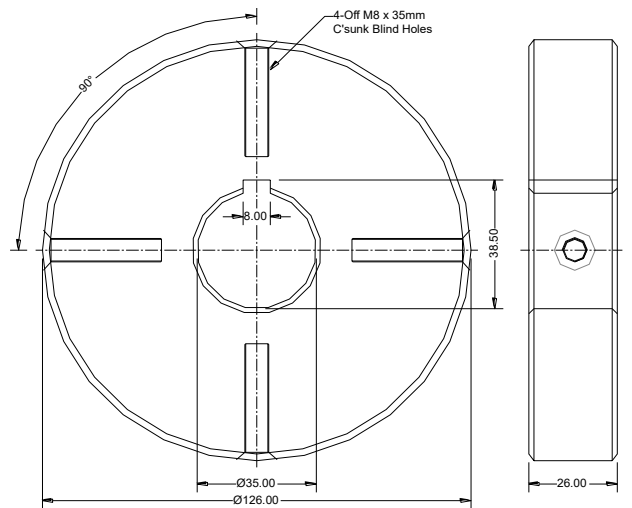
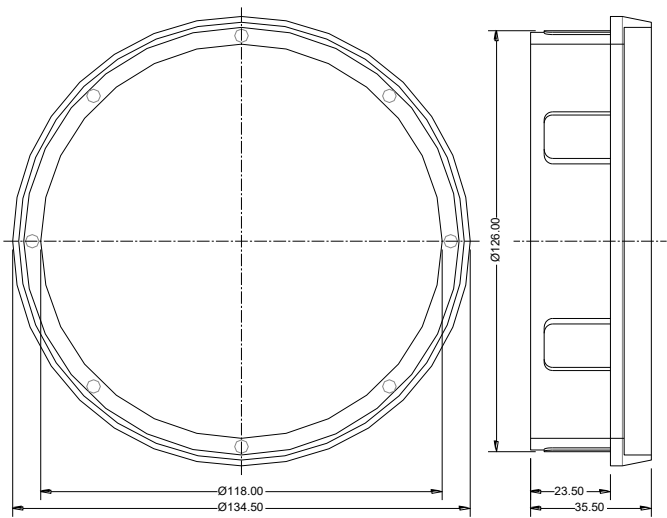


EURODRIVE Adaptors

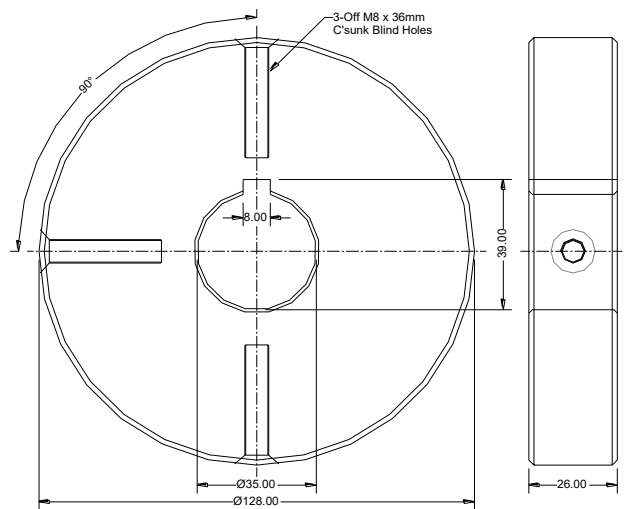
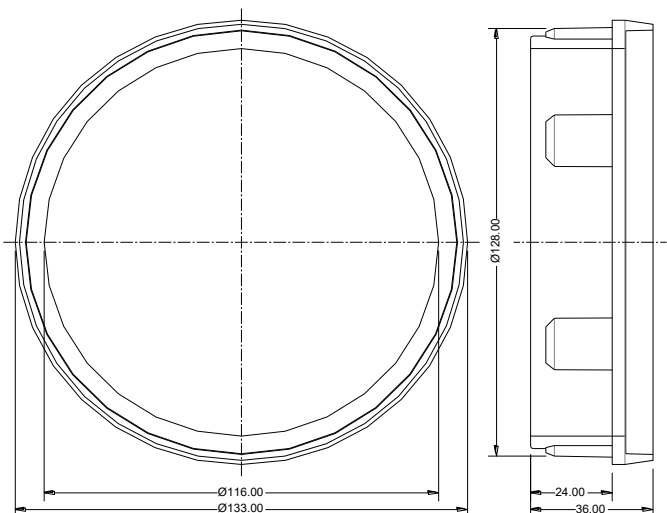
ED5123 (to suit EURO500M/O)



ED5126 (to suit EURO500M/O)

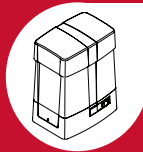


ED5128 (to suit EURO500M/O)



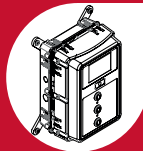
Marantec UK

Automation for all types of doors & gates



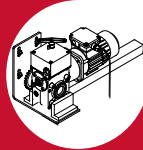
1. Gate and Barrier Operators

Security is a main attribute to any property, control who enters a property with a sliding/swing gate or traffic barrier.



3. Control Panels

Marantec UK now supply the CS, WU and VST panels which provide a multitude of access, safety and security features. Accessories can be provided to complement the panels.

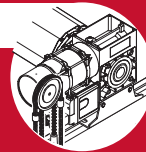


5. Sliding/Folding Operators

Sliding folding doors operate horizontally and are supported at the top with a guide rail in the floor. Generally these are driven by a top hung endless drive chain. Sliding doors are normally of a heavy construction and are used in wide openings or where the installation may be subjected to high wind loading.

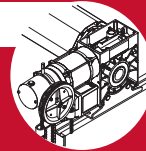
2. Roller Shutter Operators

Roller shutters are very common in industrial sectors with it's low cost and economical values. Marantec UK has a comprehensive range of rolling operators may it be sprung (CDO Range) or unsprung (MDF Range).



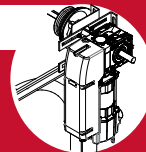
4. Rapid Roll Operators

Looking for an operator that is to be used frequently or wanting to keep in control of room temperatures? We offer a range of rapid roll operators that will keep traffic flowing and save energy.



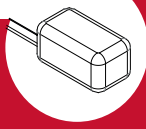
6. Sectional Door Operators

The sectional door has become more popular in recent years with its improved level of insulation and faster operating speed. Sectional doors can be adapted to suit various of industrial solutions.



7. Garage Door Operators

Wanting to keep cars safe and locked away? Marantec UK provides the latest garage door technology from Marantec. The comfort range offers quick installations, efficient opening times and wireless opening methods.



**We have a comprehensive range of products to automate and control your applications.
If required we can custom build a solution to meet your requirements.**

Roller Shutter Doors

Flange mount packages—mechanical and electronic limit options, 1 phase and 3 phase (DELTA options)

MDF direct drive packages—mechanical and electronic limit options, Bracket packs with flat or return plates 1 phase and 3 phase (DELTA options)

Drive chain sets including platewheels, sprockets, safety brakes, shafts, discs, bearings

Sectional Door packages

Hollow bore 1 phase and 3 phase sectional door operators, mechanical and electronic limit options
Various adaptor shafts

Sliding folding door operators

1 phase and 3 phase operators

Accessories including idler tensioners and chain grippers.

Controls and Accessories

1 phase and 3 phase control panels to suit mechanical and or electronic limits , keypads, key switches,
Loop detectors plug in or stand alone, loop cable, Dock leveller controls, Custom build panels as required,

Pushbutton stations, radio receivers and transmitters, pull switches, palm switches, timers, intercoms, GSM systems,
Radar motion detectors, Sirens, Red and Green traffic lights, Proximity systems and fobs, Safety edge kits, Optical,
Pneumatic, Conductive (wireless available), photocells, light curtains

Fire Door Operators

NBG range of 1 phase and 3 phase operators

Bracket packs, release units either automatic reset or manual, Audio visual interface control panels, heat and smoke detectors

Hazardous Area Operators (ATEX, Exd)

Flange mount operators, direct drive operators, sectional door operators, controls and accessories to suit

ZONE 1 and 2 or 21 and 22, IIB, GD, T4 rated operators (Gas or Dust)
(IIC, Hydrogen specification motors available upon request)

Rapid Roll Door Operators

High speed operators with either mechanical or electronic limits

SPEEDLINK INVERTER CONTROL PANELS

Bracket packs, adaptor sleeves, various accessories

Tubular motors

EURODRIVE range of tubular motors 12Nm to 500Nm with or without manual override
Barrel assemblies

Radio receivers and transmitters

Control equipment

UPS battery back up systems

Gates and Barriers

Swing gate operators, RAM and INGROUND options, domestic and industrial applications

Sliding gate operators, domestic and industrial applications

Road traffic barriers

Accessories including photocells, radio, safety edge options, coded key pads, screw and weld on toothed racking,
inground gate track and wheels to suit.

Please Contact Our Sales Department On 01928 579050 For Further Information