

RK3

ROLLING CODE RADIO KEYBOARD



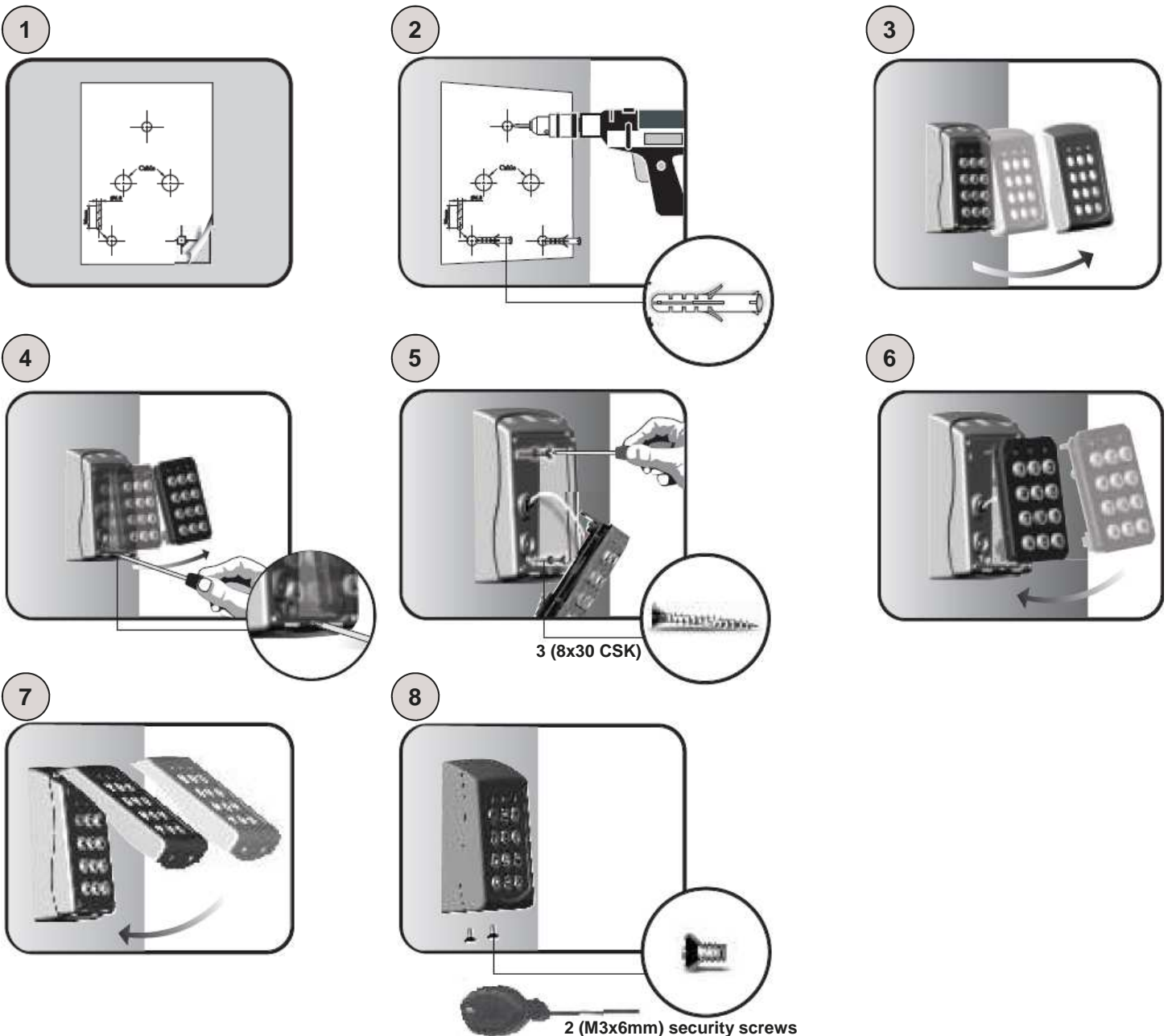
Manual



1. Technical features

Reference	RK3
Keys	Backlit polycarbonate
Channels	10
Programming Master Code	1
Users codes	99
Relays time setup	1 to 10 seconds
Compatibility	With all Allmatic's Rolling Code products
Memory	EEPROM (keeps programming safe even in case of power cut)
Range	120 mt in open space
Green led	Key pressure / error and confirmation signal / transmission in progress
Red led	Keypad unlocked indicator
Amber led	Configuration menu entrance
Buzzer	1
Power supply	12/24V AC/DC input and/or 9V battery
Max absorption	27mA in transmission with 9V battery power supply 120mA in transmission with 24Vac power supply
IP rating	65
Dimensions (mm)	119,5x83,5x40

2. Mounting



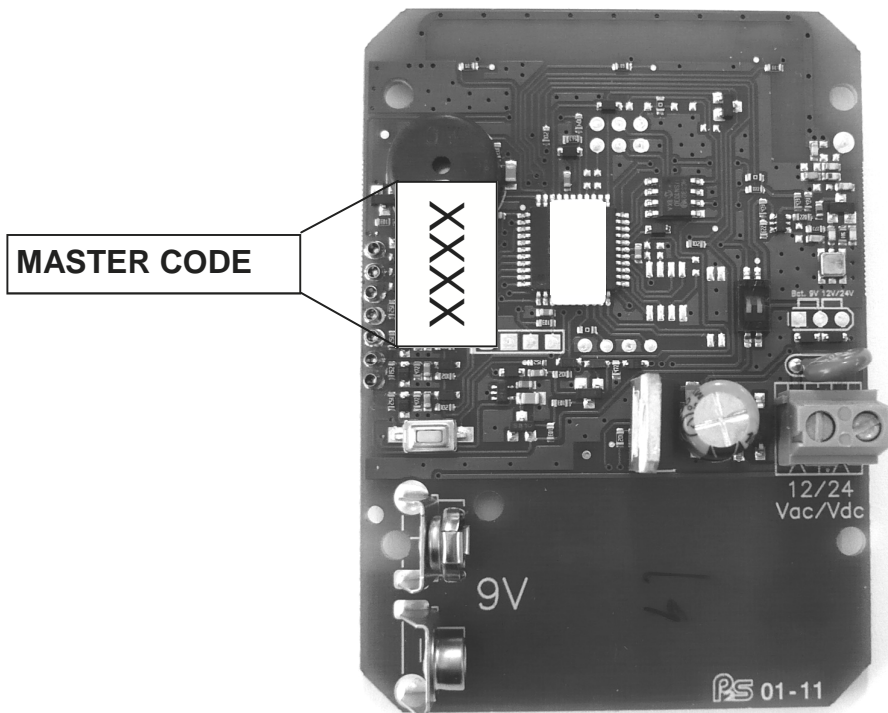
3. Master Code

ATTENTION: Before making any operation, take the adhesive you find on the back of the keyboard and put it on the space here below (as shown in the drawing) where it is written the master code set by the factory.

Attach here the adhesive or write the master code



ATTENTION: In case of total reset of the device, the master code will come to be the one indicated. The loss of this code will make the keyboard unusable.



4 Changing the master code

- 1 Enter the **MASTER code** (1-8 figures). See Paragraph 3
- 2 Confirm by pressing the **B**
 - Long Beep + Amber led **FIX ON** - Confirm **OK**
 - Series of short Beeps + Amber led flashing - Confirm **NOT OK**
- 3 Press **0**
 - Long Beep** emitted by the keyboard
- 4 Enter the memory location of the master **00**
 - Long Beep** emitted by the keyboard
- 5 Enter the new MASTER code from 1 to 8 figures long
 - If the code is 8 figures long, the keyboard emits a **Long Beep** to indicate that the code is memorized
- 6 Press **A** (only if the access code is shorter that 8 figures)
 - Long Beep** emitted by the keyboard
- 7 Press **B** to exit
 - Long Beep emitted** by the keyboard + amber led **OFF**
- 8 Code changing terminated

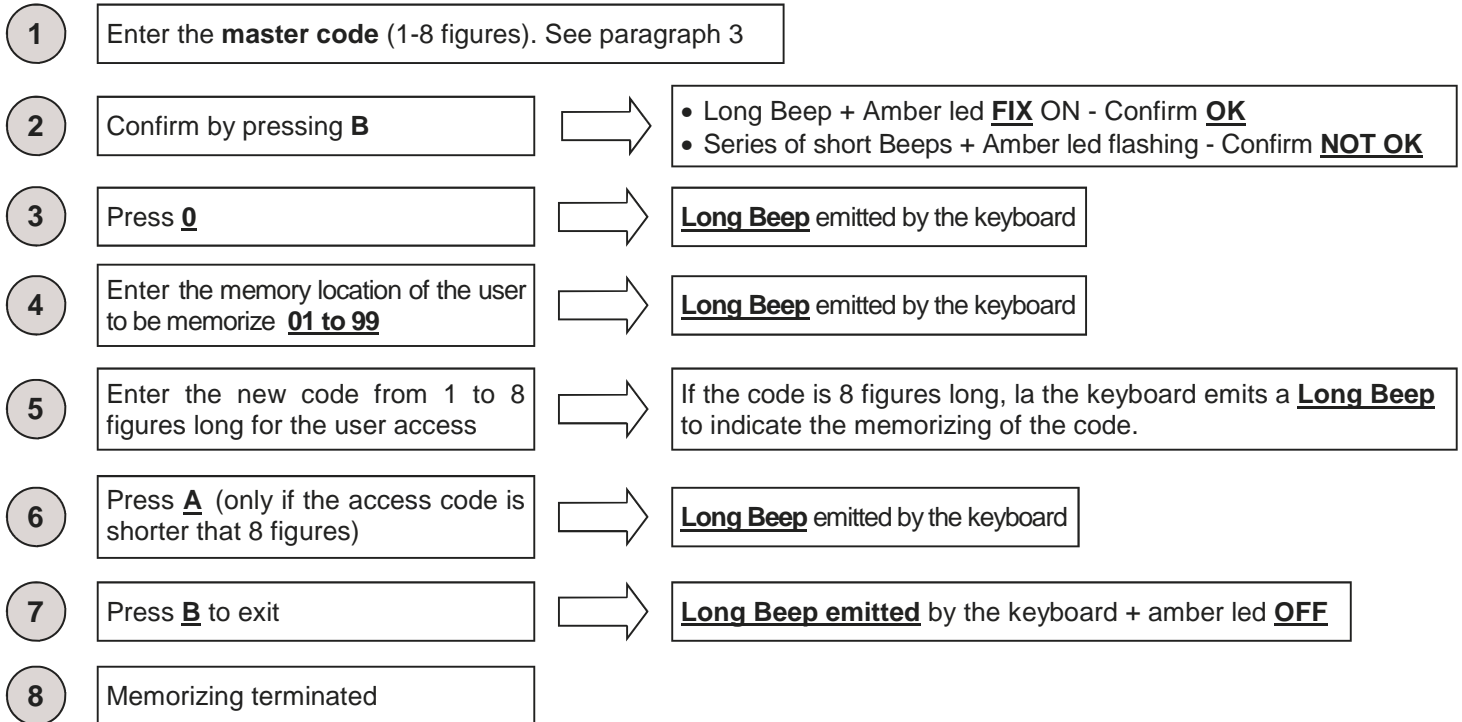
The master code is used only for programming.

In case of changing of the master code, it is suggested to write it down here below.

NEW MASTER CODE

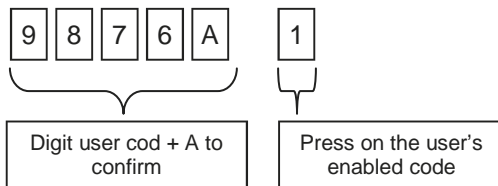
--	--	--	--	--	--	--	--

5 Memorizing a new user code

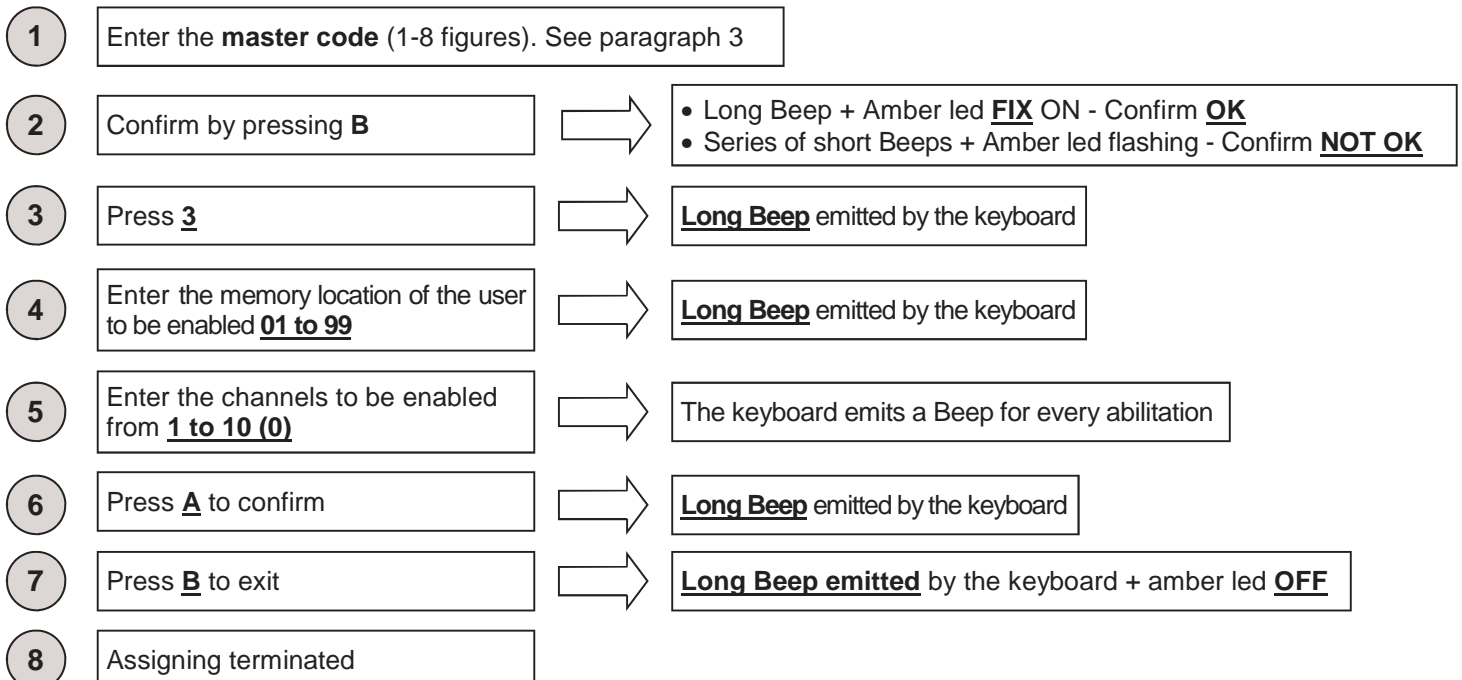


The keyboard automatically associates the transmission channel 1 to every new user
It is suggested to fill the users book in order to facilitate the future maintenance for changing or cancellation.

Example of keyboard activation sequence (if code 9876 is random) and transmission with channel 1

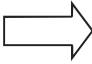




6 Assigning the transmission channels

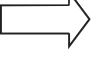


The keyboard automatically associates the transmission channel 1 to every new user
It is suggested to fill the users book in order to facilitate the future maintenance for changing or cancellation.

7 Transmission duration setup

- 1 Enter the **master code** (1-8 figures). See paragraph 3
- 2 Confirm by pressing **B** 
 - Long Beep + Amber led **FIX ON** - Confirm **OK**
 - Series of short Beeps + Amber led flashing - Confirm **NOT OK**
- 3 Press **1** 

Long Beep emitted by the keyboard
- 4 Enter the transmission time to be enabled from **1s to 10s (0)** 

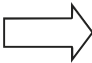

Long Beep emitted by the keyboard and memorize the time entered
- 5 Press **B** to exit 

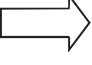
Long Beep emitted by the keyboard + amber led **OFF**
- 6 Setup terminated

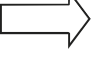
The transmission time is set to 2 seconds by default.

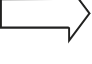
The transmission time setting applies to ALL users and ALL transmission channels

8 Deleting one user

- 1 Digit the **master code** (1-8 figures). See paragraph 3
- 2 Confirm by pressing **B** 
 - Long Beep + Amber led **FIX ON** - Confirm **OK**
 - Series of short Beeps + Amber led flashing - Confirm **NOT OK**
- 3 Press **9** 

Long Beep emitted by the keyboard
- 4 Enter the memory location of the user to be deleted **from 01 to 99** 


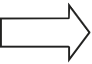
Long Beep emitted by the keyboard
- 6 Press **A** to confirm 

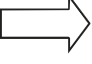
Long Beep emitted by the keyboard
- 7 Press **B** to exit 

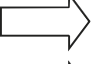
Long Beep emitted by the keyboard + amber led **OFF**
- 8 Deleting terminated

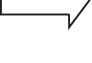
It is suggested to update the user register

9 Deleting all users

- 1 Digit the **master code** (1-8 figures). See paragraph 3
- 2 Confirm by pressing **B** 
 - Long Beep + Amber led **FIX ON** - Confirm **OK**
 - Series of short Beeps + Amber led flashing - Confirm **NOT OK**
- 3 Press **8** 

Long Beep emitted by the keyboard
- 4 Enter the memory location **99** 

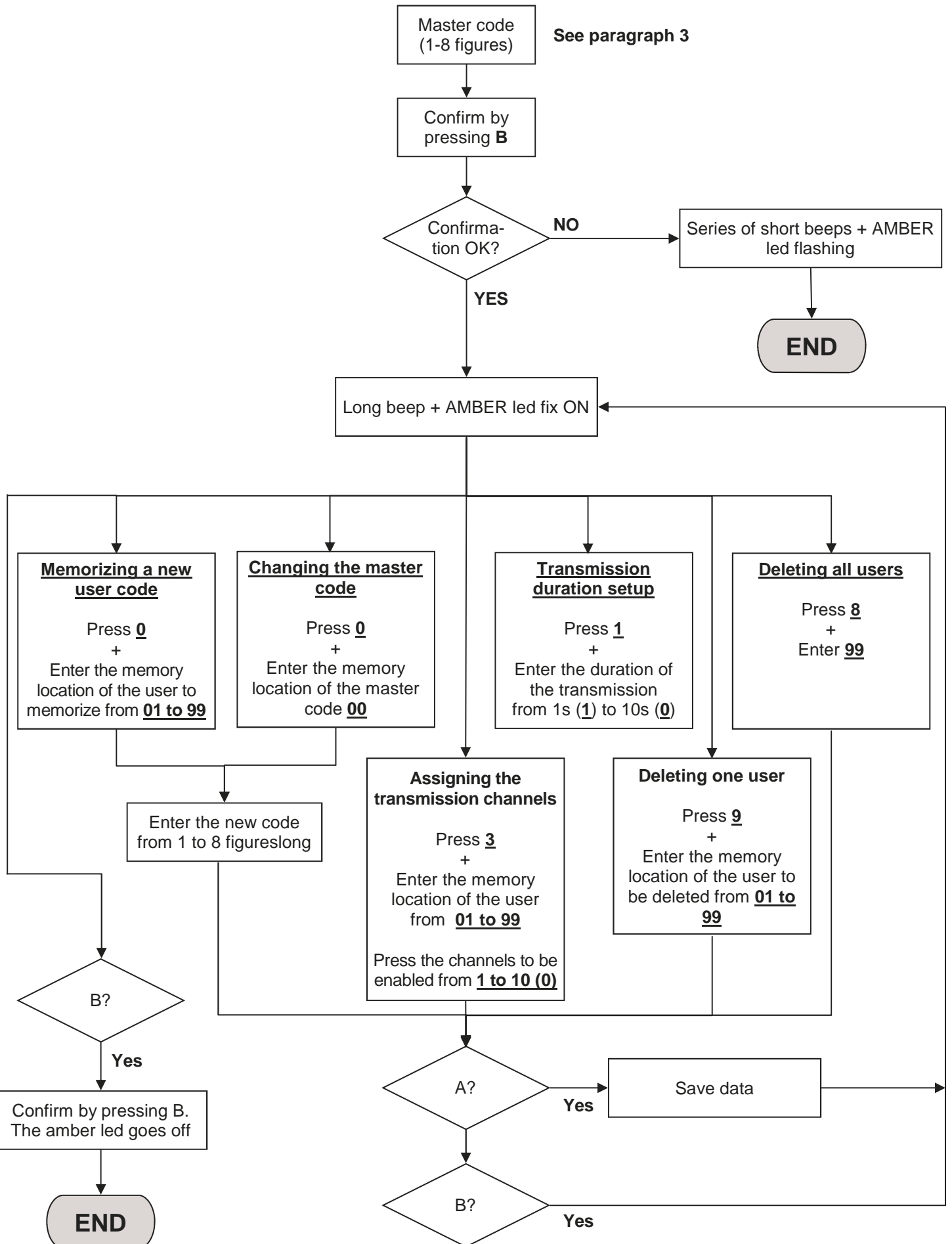
Long Beep emitted by the keyboard
- 6 Press **A** to confirm 

Long Beep emitted by the keyboard
- 7 Press **B** to exit 

Long Beep emitted by the keyboard + amber led **OFF**
- 8 Total deleting terminated

It is suggested to update the users book

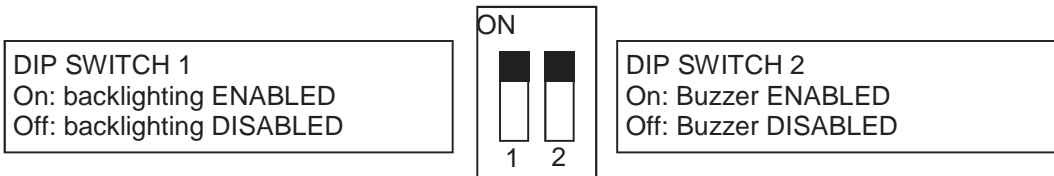
10. Programming summary



11. DIP-SWITCH setup

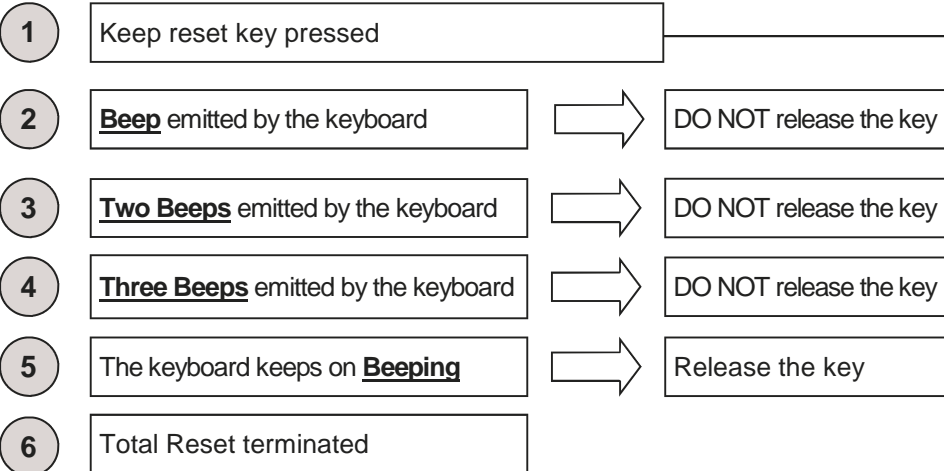
On the back side of the card there is a DIP-SWITCH that allows to enable / disable the buzzer and the backlighting of the keyboard.

It is suggested to enable the buzzer during the setup operation.



In case of battery supply, once the programming is terminated it is suggested to turn both the dip-switch OFF in order to improve the efficiency and increase the lifetime of the battery.

12 Device Total Reset



ATTENTION: IN CASE OF TOTAL RESET ALL THE USERS ARE DELETED, THE MASTER CODE (SEE PARAGRAPH 3) AND ALL THE SETTINGS RETURN TO BE THOSE SET BY THE FACTORY.

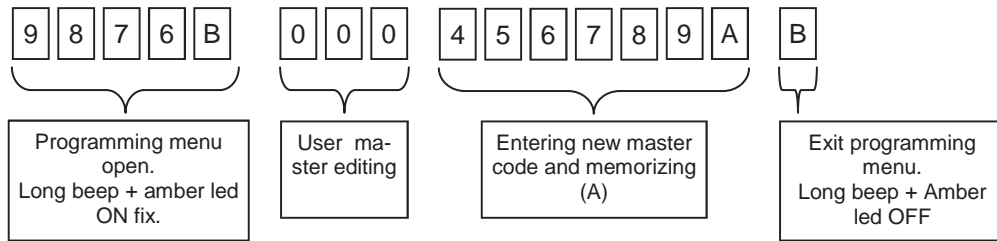
13 Programming example

This is an example for programming the device with user code "123456" enabled to transmit on channel "4" with a transmission duration of 6 seconds. The master code set by the factory in this example is "9876".

It is suggested to modify the master code in order to set a new one.

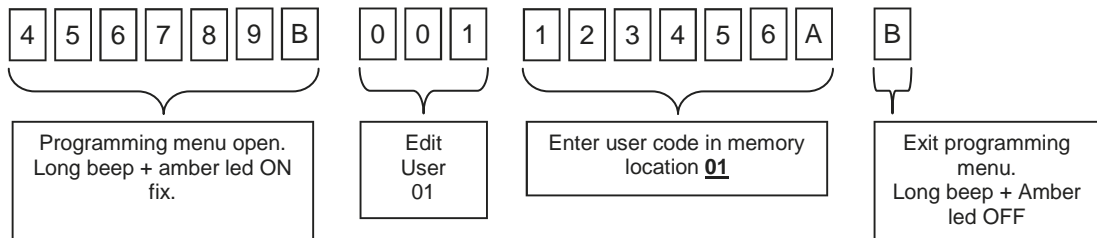
1. Change of the master code

Here below it is shown the sequence to enter to change the master code (in this example it is "9876") with the code "456789" (this code must be chosen by the client, see paragraph 3 and 4)



2. User Code Setup

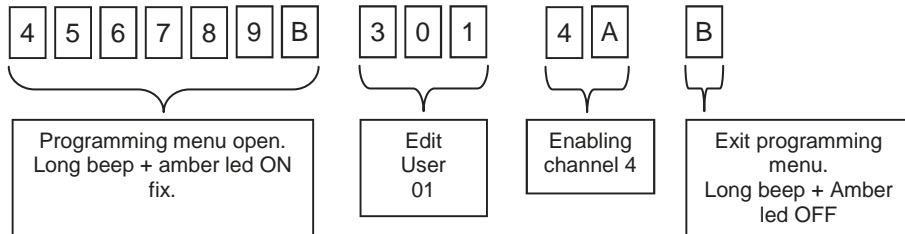
Here below it is shown the sequence to enter to create a new user on the memory location "01" with the access code "123456". See paragraph 5.



3. Transmission channel setup

As default settings, the device assigns channel 1 to every new user.

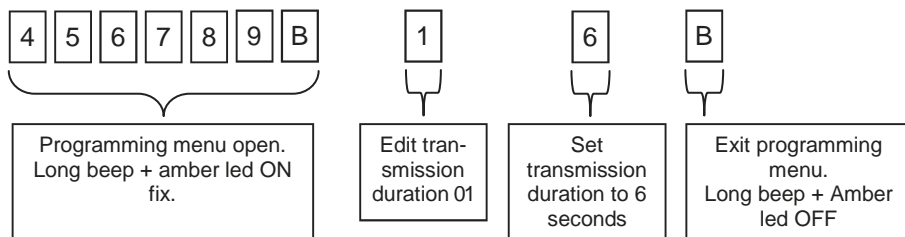
Here below it is shown the sequence to enter to enable the transmission channel "4" to the user on memory location 01. See paragraph 6.



4. Transmission Duration Setup

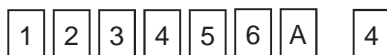
As default settings, the transmission duration is set to 2 seconds.

Here below it is shown the sequence to enter to set the transmission duration to 6 seconds for ALL channels and ALL users. See paragraph 7.



5. Learning the keypad on the installation

Enable the learning mode on the control unit/receiver used, press on the RK3 the user code (ex.123456), press A and after press the key of the channel (ex.4) you want to memorize.



Users book

Memory position	User code	Name	Surname	Active channels																
				1	2	3	4	5	6	7	8	9	0							
01																				
02																				
03																				
04																				
05																				
06																				
07																				
08																				
09																				
10																				
11																				
12																				
13																				
14																				
15																				
16																				
17																				
18																				
19																				
20																				
21																				
22																				
23																				
24																				
25																				
26																				
27																				
28																				
29																				
30																				
31																				
32																				
33																				

Memory position	User code	Name	Surname	Active channels											
				1	2	3	4	5	6	7	8	9	0		
34															
35															
36															
37															
38															
39															
40															
41															
42															
43															
44															
45															
46															
47															
48															
49															
50															
51															
52															
53															
54															
55															
56															
57															
58															
59															
60															
61															
62															
63															
64															
65															
66															

Memory position	User code	Name	Surname	Active channels											
				1	2	3	4	5	6	7	8	9	0		
67															
68															
69															
70															
71															
72															
73															
74															
75															
76															
77															
78															
79															
80															
81															
82															
83															
84															
85															
86															
87															
88															
89															
90															
91															
92															
93															
94															
95															
96															
97															
98															
99															

WARRANTY - The manufacturer's warranty is valid according to the terms of the law from the date printed on the product and is limited to the free reparation or replacement of defective parts acknowledged to be defective because of deficiencies in essential material properties or manufacturing faults. The warranty does not cover damage or failure due to external agents, insufficient maintenance, overload, wear and tear, choice of the incorrect type, incorrect installation, or other causes not related to the producer. The products will not be tampered with or repaired nor guaranteed. The data shown are for guidance only. No liability can be accepted for reductions in range or failure due to environmental interference. The responsibility borne by the producer for damage caused to anyone by accident of any kind by faulty products, is only that required by the Italian law.

