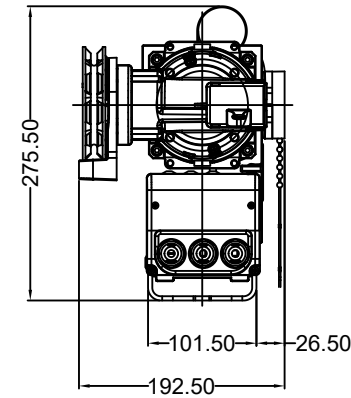
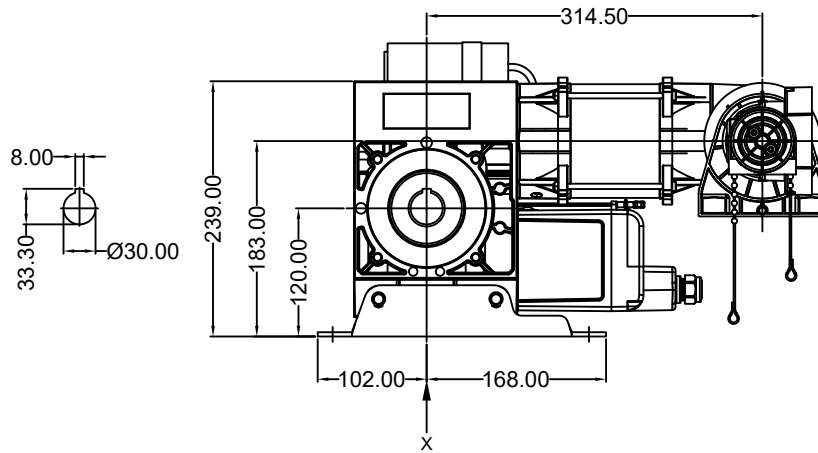
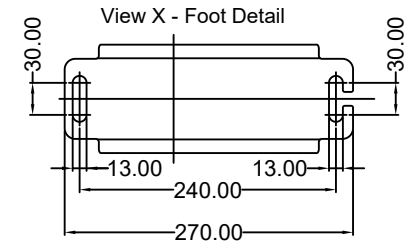
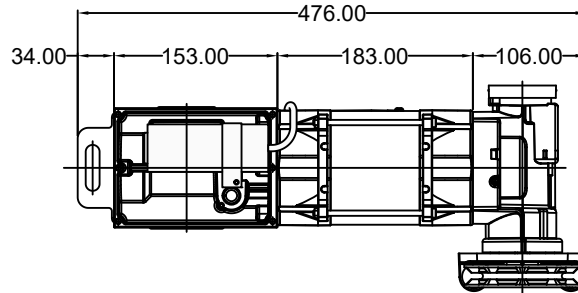
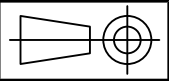


**Stock Codes:** MWF 2-22-12 KE (Mechanical Limits) & MWF 20-22-12 KE (Electronic Limits)  
**Description:** 230V/50Hz/1ph / 60µF Capacitor / 0.75KW / 9.5A Motor Current  
 Ø30mm Bore / 220Nm / 12rpm / IP54

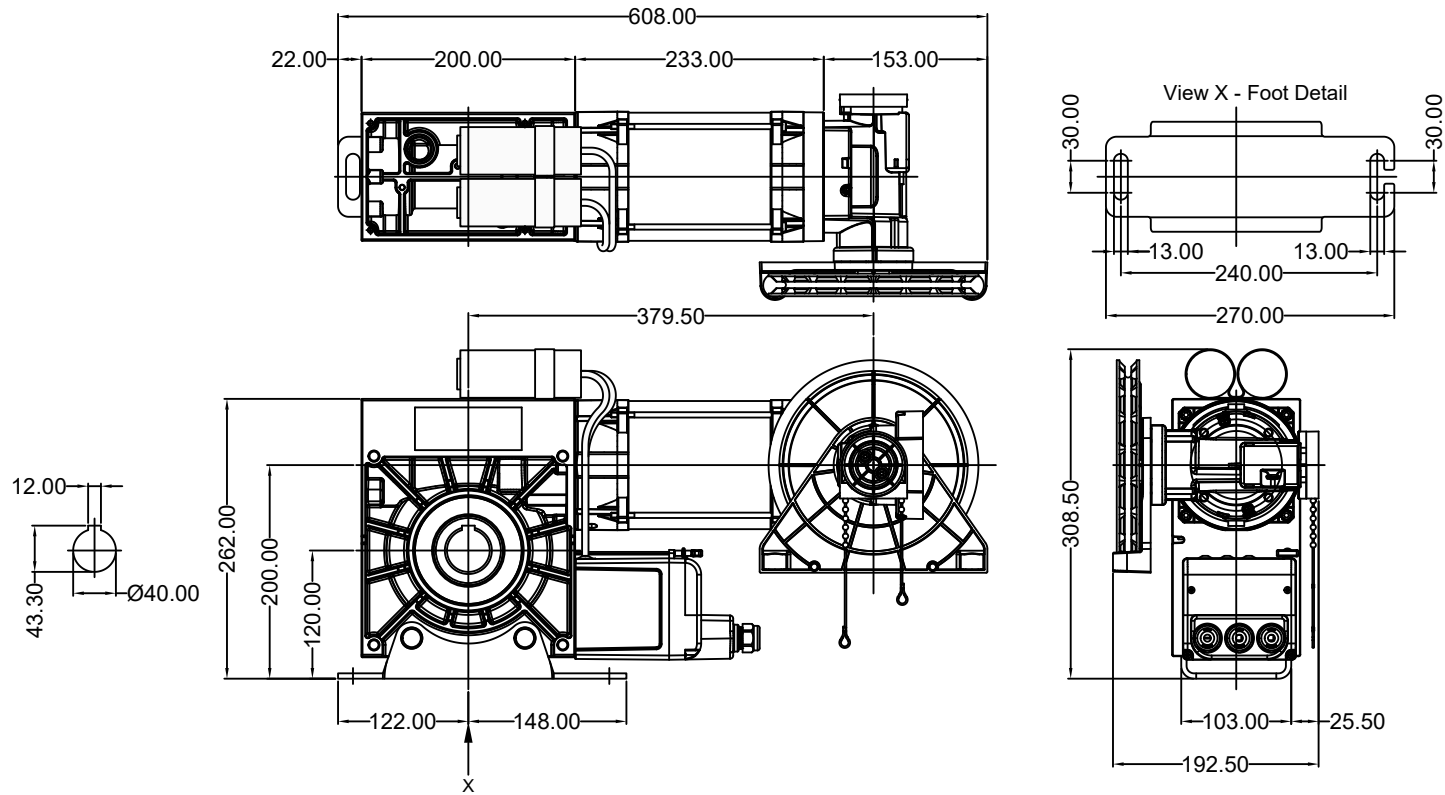
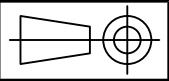


Title:-

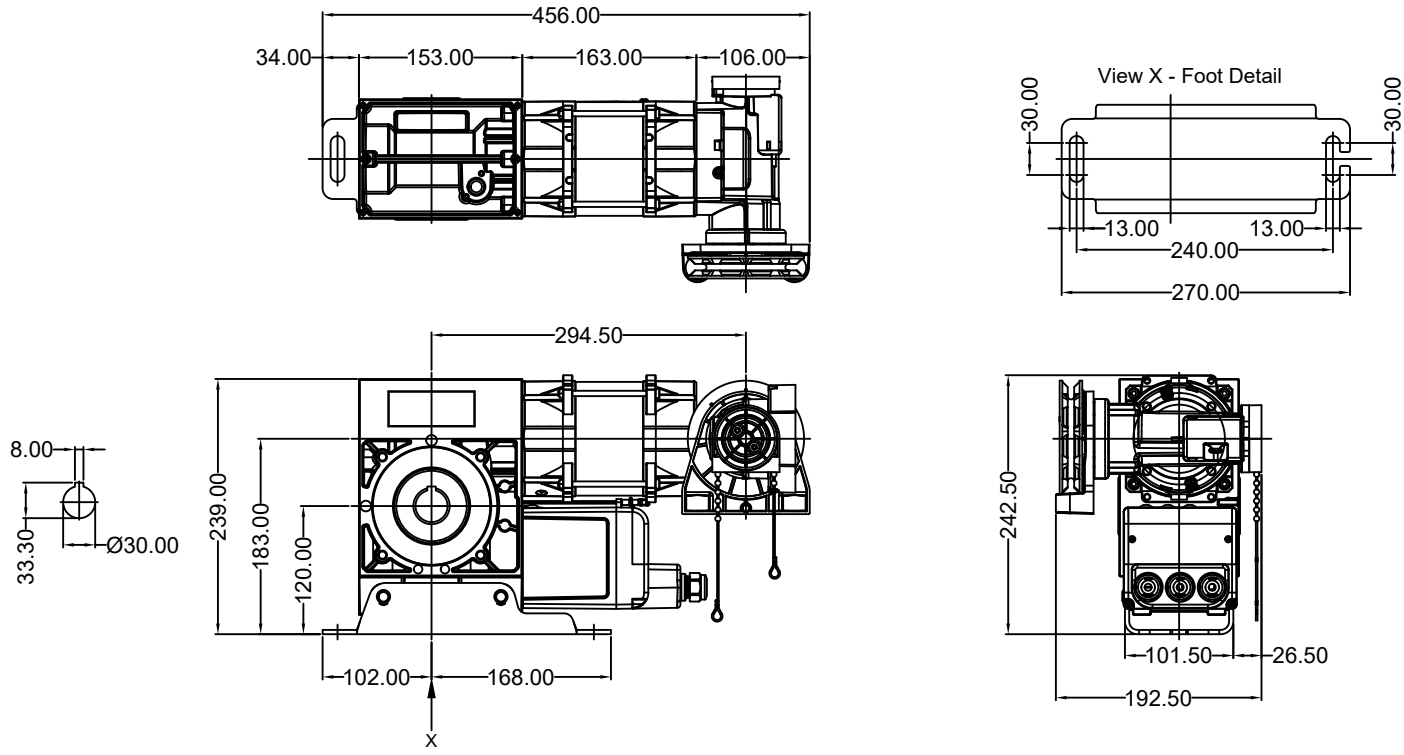
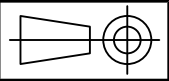
MFZ RANGE SHAFT MOUNTING OPERATORS  
 FOR UNSPRUNG ROLLING SHUTTER DOORS

Drawing No:- LC-2798	Page No:- 1 of 17
Revision No:- L	Rev Date:- 09/04/19
Drawn By:- R.A.H.	Date:- 22/06/07
Checked By:- D.R.	Appr' By:- S.L.

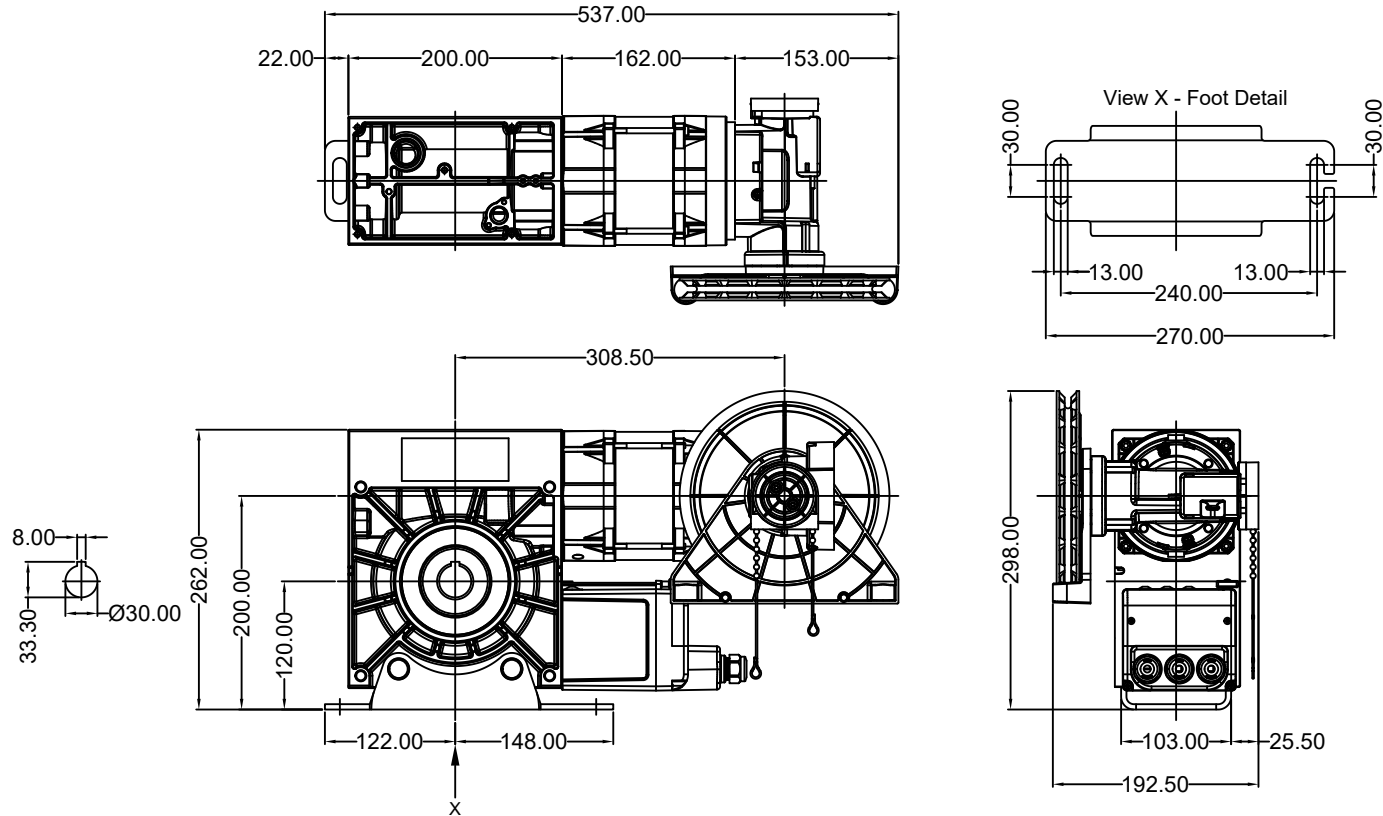
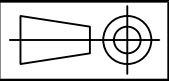
**Stock Codes:** MWF 3-38-12 KE (Mechanical Limits) & MWF 30-38-12 KE (Electronic Limits)  
**Description:** 230V/50Hz/1ph / 2 x 60µF (120µF) Capacitors / 1.1KW / 14.0A Motor Current  
 Ø40mm Bore / 380Nm / 12rpm / IP54



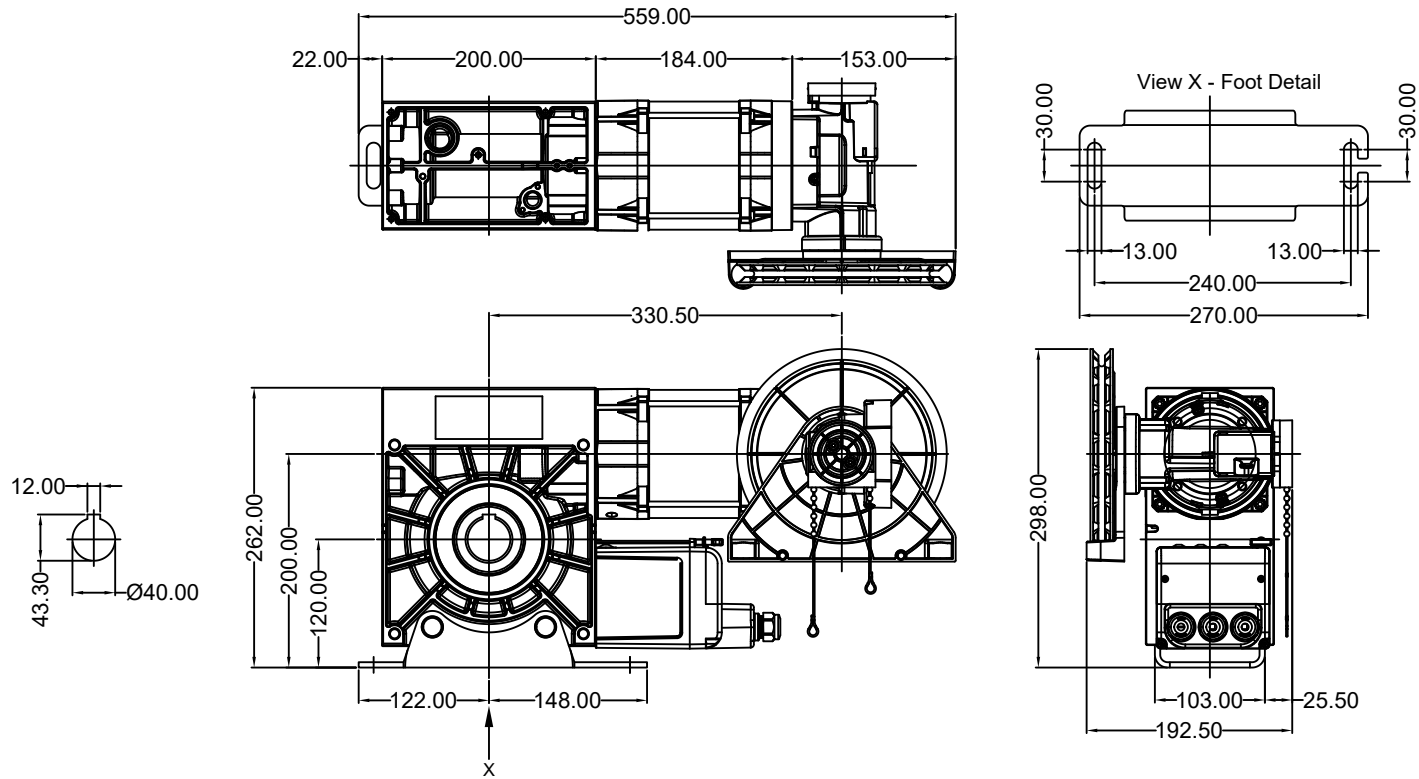
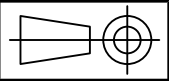
**Item(s):** MDF 2-22-12 KE (Mechanical Limits) & MDF 20-22-12 KE (Electronic Limits) (Stock Code: 21-2920)  
**Description:** 400V/50Hz/3ph / 0.75KW / 2.8A Motor Current  
 Ø30mm Bore / 220Nm / 12rpm / IP54



**Item(s):** MDF 3-30-12 KE (Mechanical Limits) & MDF 30-30-12 KE (Electronic Limits) (Stock Code: 21-3930)  
**Description:** 400V/50Hz/3ph / 0.85KW / 3.6A Motor Current  
 Ø30mm Bore / 300Nm / 12rpm / IP54

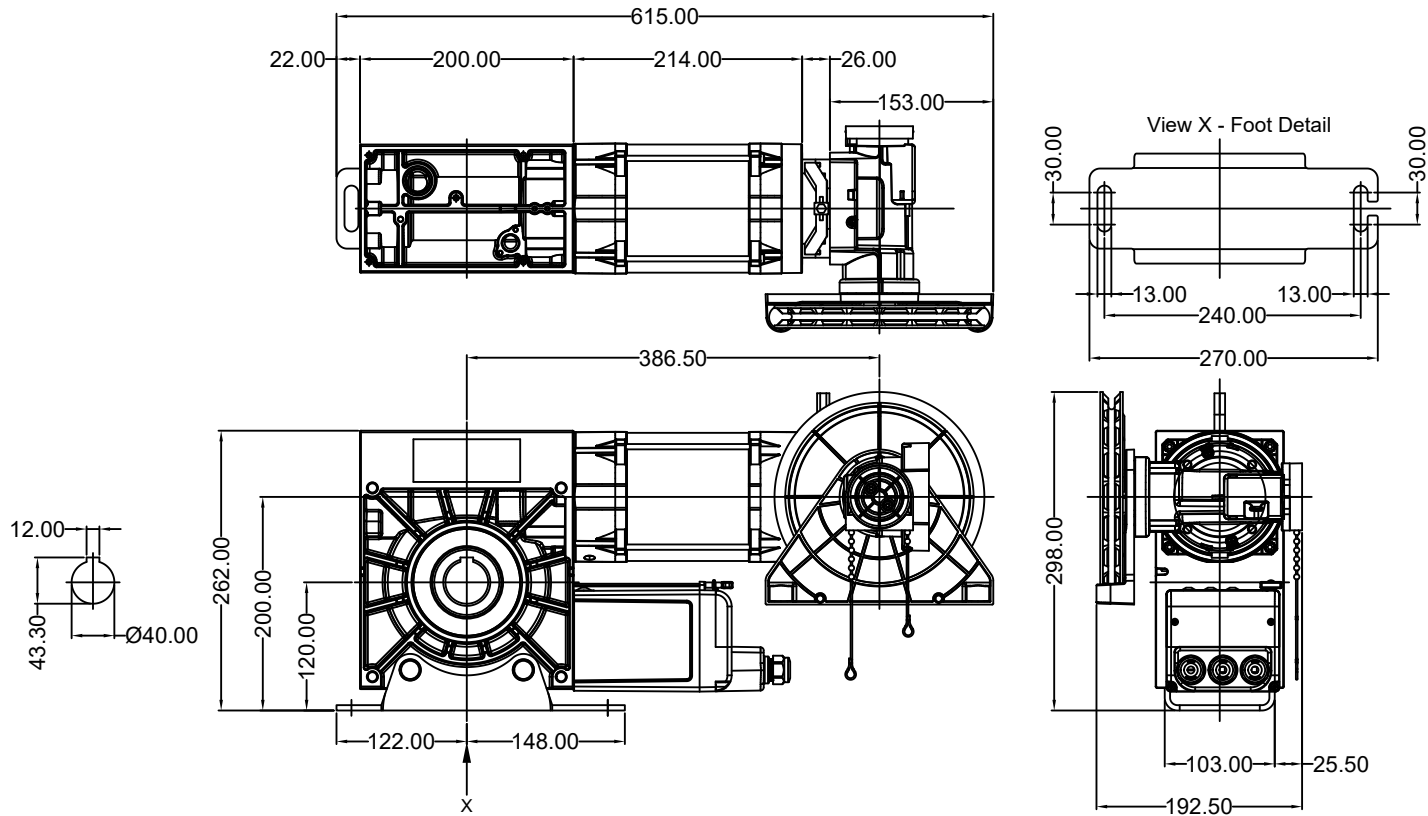
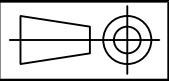


**Item(s):** MDF 3-42-12 KE (Mechanical Limits) & MDF 30-42-12 KE (Electronic Limits) (Stock Code: 21-2932)  
**Description:** 400V/50Hz/3ph / 1.1KW / 4.3A Motor Current  
 Ø40mm Bore / 420Nm / 12rpm / IP54

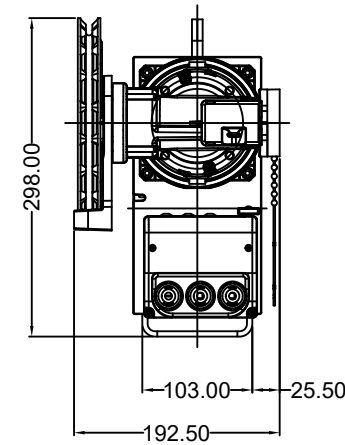
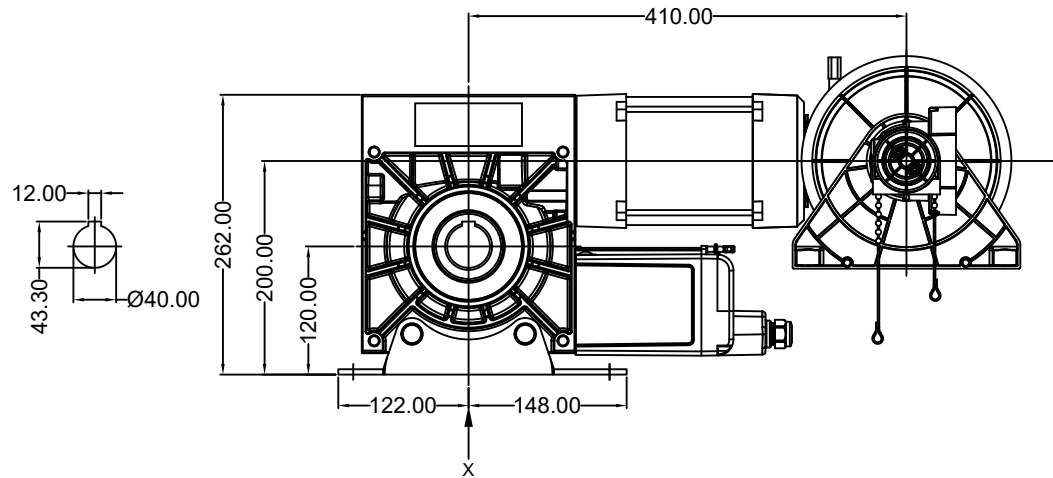
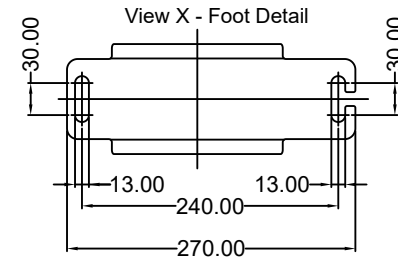
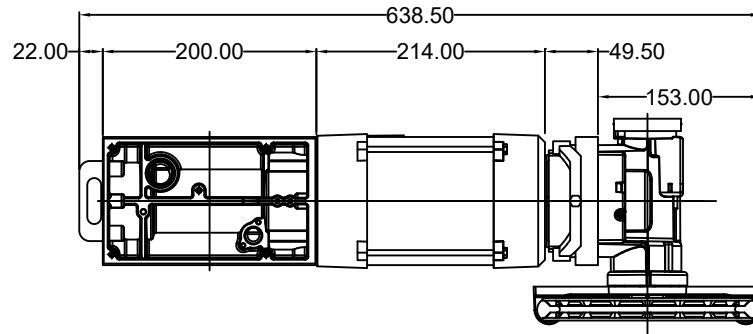
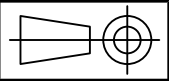


**Stock Codes:** MDF 3-50-12 KE (Mechanical Limits) & MDF 30-50-12 KE (Electronic Limits) (Stock Code: 21-3935)

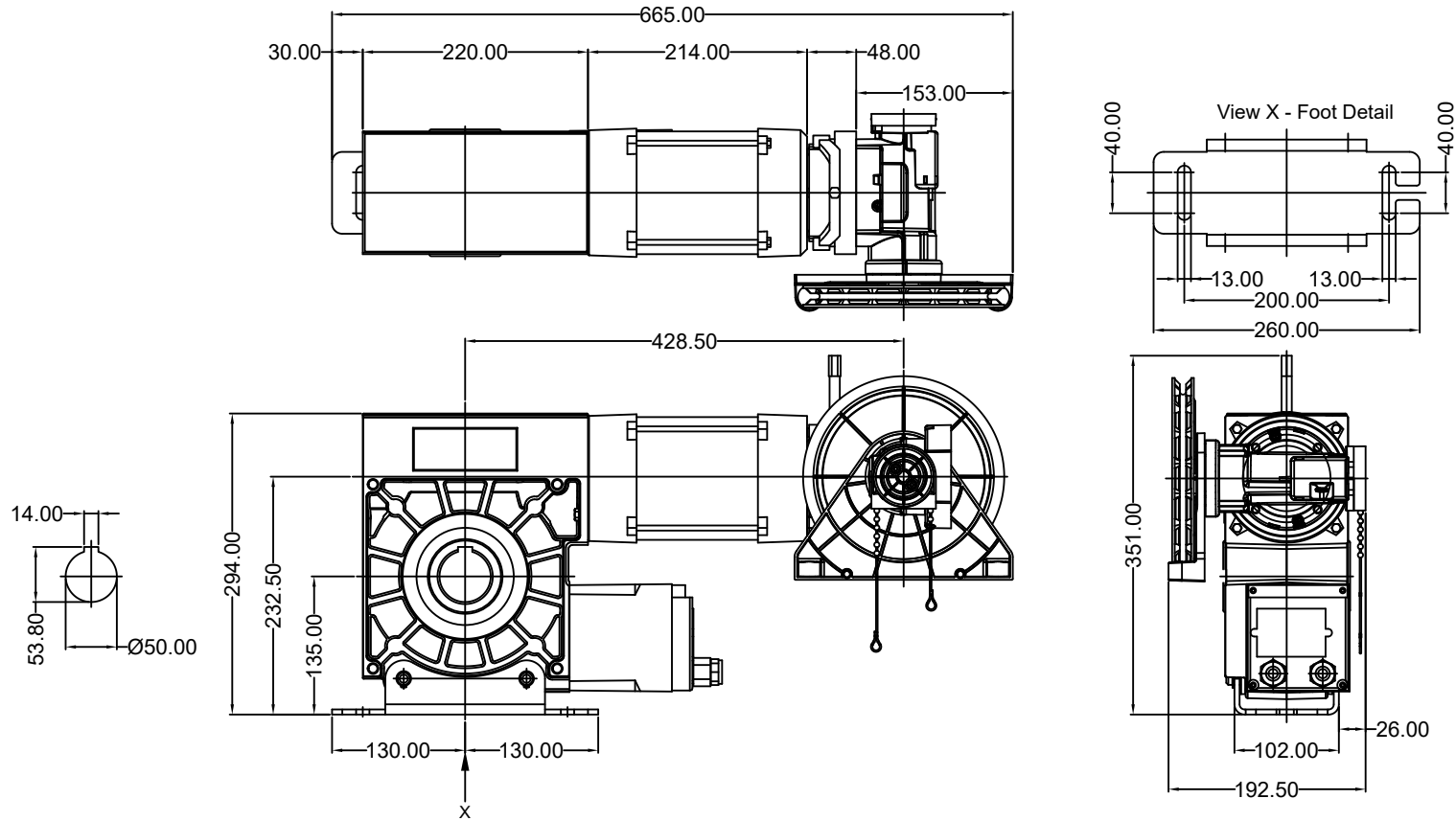
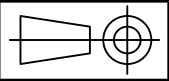
**Description:** 400V/50Hz/3ph / 1.1KW / 4.5A Motor Current  
Ø40mm Bore / 500Nm / 12rpm / IP54



**Item:** MDF3-65 10pm KE Operator (Stock Code: 21-3650)  
**Description:** 400V/50Hz/3ph / 1.4KW / 5.8A Motor Current  
 Ø40mm Bore / 650Nm / 10rpm / IP54



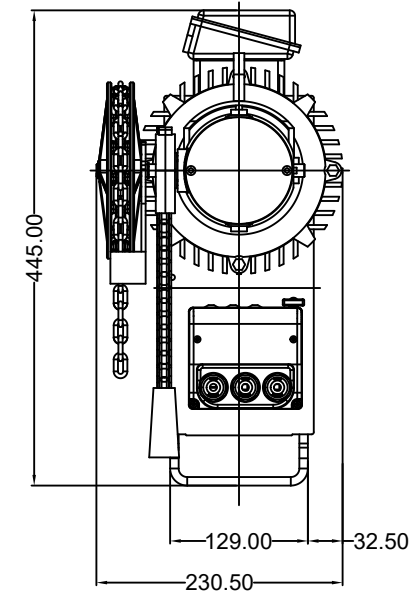
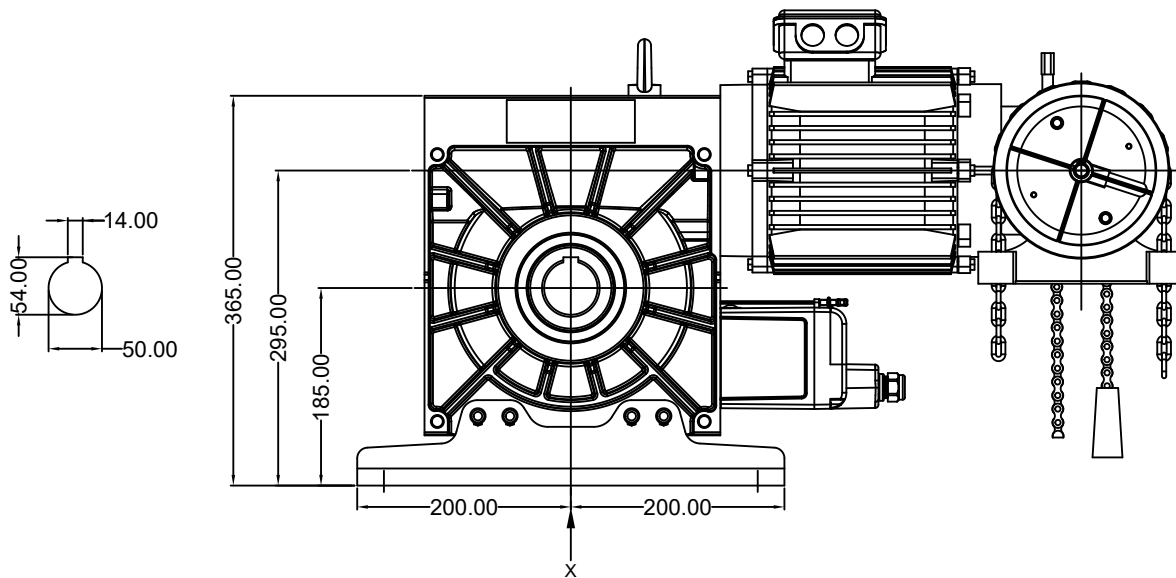
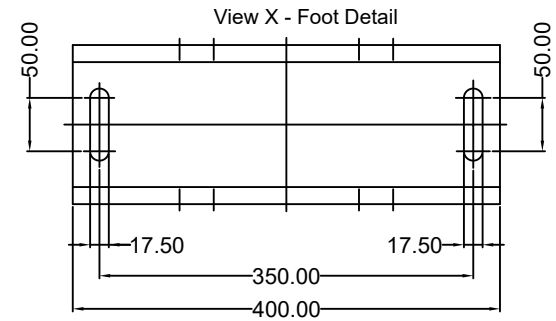
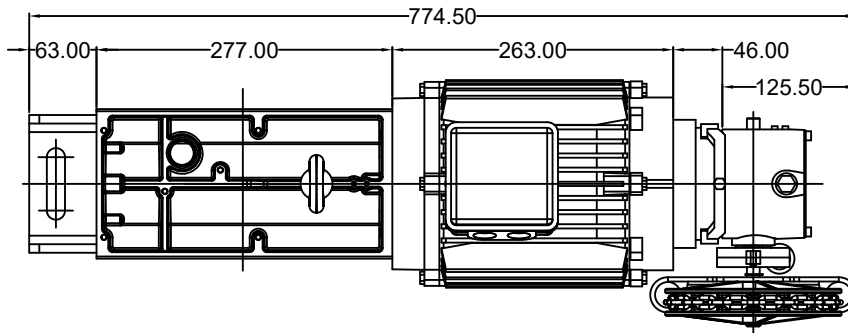
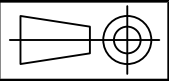
**Item(s):** MDF 5-75-10 KE (Mechanical Limits) & MDF 50-75-10 KE (Electronic Limits) (Stock Code: 21-2950)  
**Description:** 400V/50Hz/3ph / 1.4KW / 5.8A Motor Current  
 Ø50mm Bore / 750Nm / 10rpm / IP54





**Stock Codes:** MDF 6-140-9 KE (Mechanical Limits) & MDF 60-140-10 KE (Electronic Limits) (Stock Code: 21-3904)

**Description:** 400V/50Hz/3ph / 1.8KW / 6.5A Motor Current  
 Ø50mm Bore / 1400Nm / 9rpm / IP54

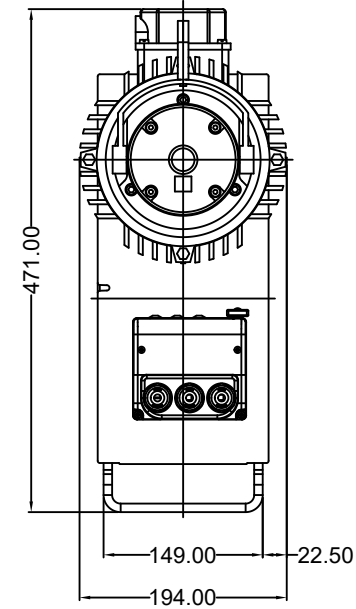
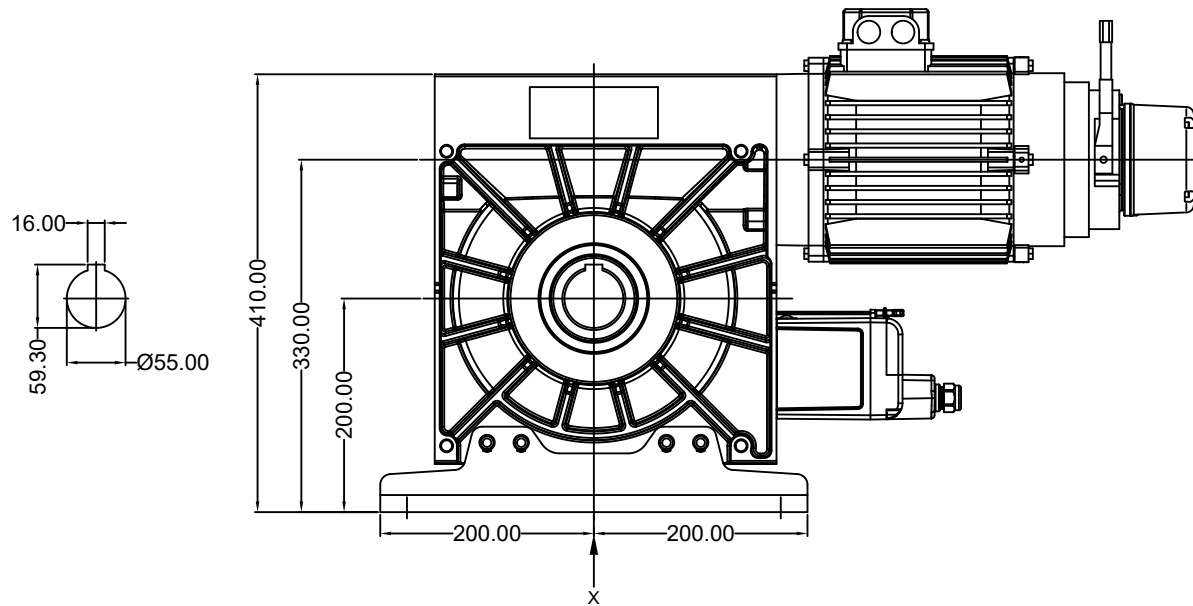
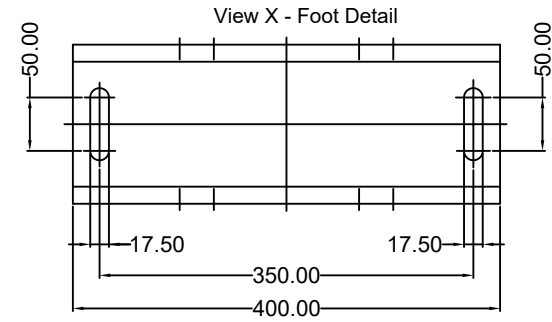
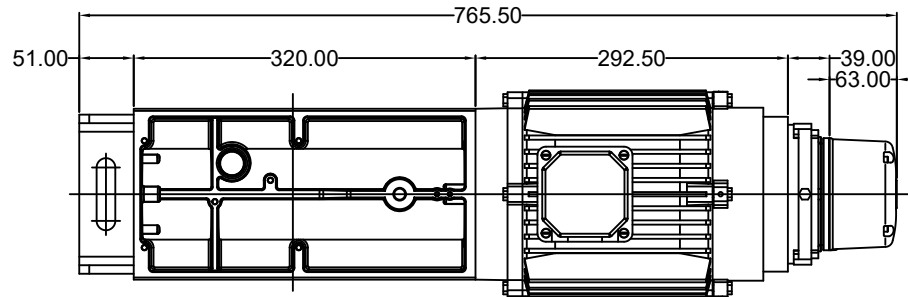
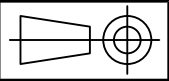


Title:-

MFZ RANGE SHAFT MOUNTING OPERATORS  
 FOR UNSPRUNG ROLLING SHUTTER DOORS

Drawing No:- LC-2798	Page No:- 9 of 17
Revision No:- L	Rev Date:- 09/04/19
Drawn By:- R.A.H.	Date:- 22/06/07
Checked By:- D.R.	Appr' By:- S.L.

**Stock Codes:** MDF 70-165-8 KU (Electronic Limits)  
**Description:** 400V/50Hz/3ph / 2.2KW / 6.7A Motor Current  
 Ø55mm Bore / 1650Nm / 8rpm / IP54

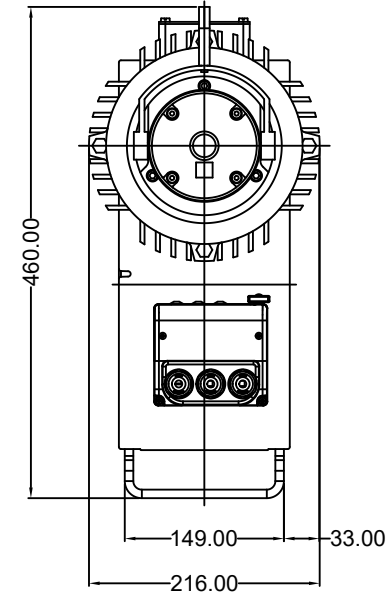
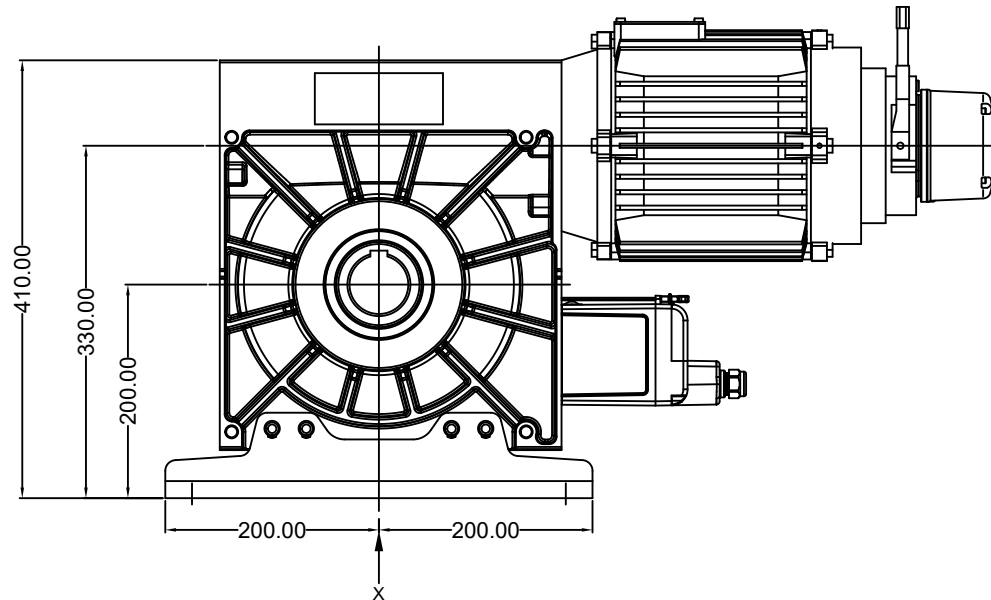
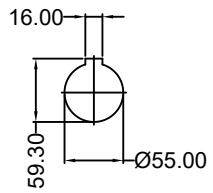
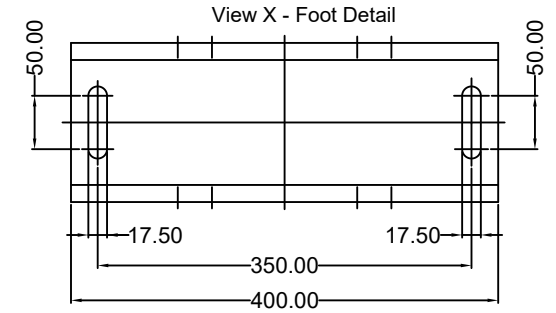
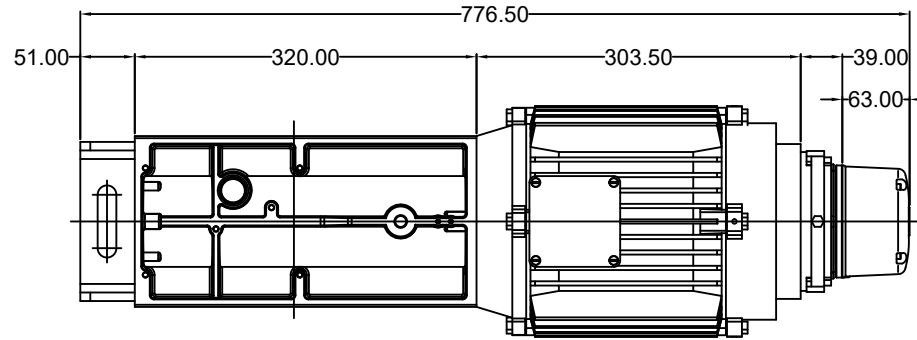
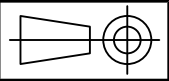


Title:-

MFZ RANGE SHAFT MOUNTING OPERATORS  
 FOR UNSPRUNG ROLLING SHUTTER DOORS

Drawing No:- LC-2798	Page No:- 10 of 17
Revision No:- L	Rev Date:- 09/04/19
Drawn By:- R.A.H.	Date:- 22/06/07
Checked By:- D.R.	Appr' By:- S.L.

**Item(s):** MDF 70-200-8 KU (Electronic Limits) (Stock Code: 21-3979)  
**Description:** 400V/50Hz/3ph / 2.5KW / 7A Motor Current  
 Ø55mm Bore / 2000Nm / 8rpm / IP54



**marantec**   
 engineered for you

Title:-

MFZ RANGE SHAFT MOUNTING OPERATORS  
 FOR UNSPRUNG ROLLING SHUTTER DOORS

Drawing No:- LC-2798

Page No:- 11 of 17

Revision No:- L

Rev Date:- 09/04/19

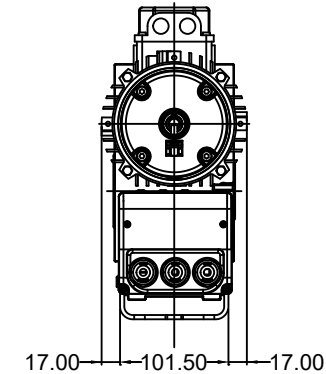
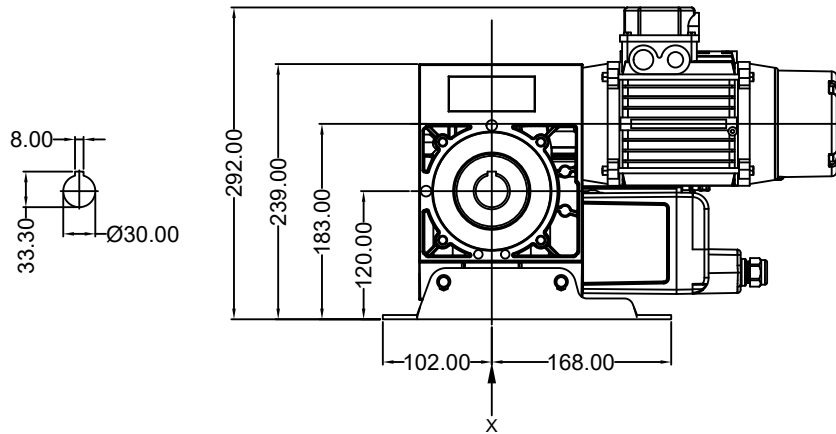
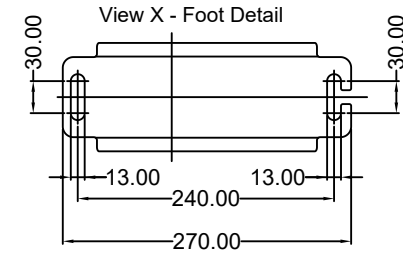
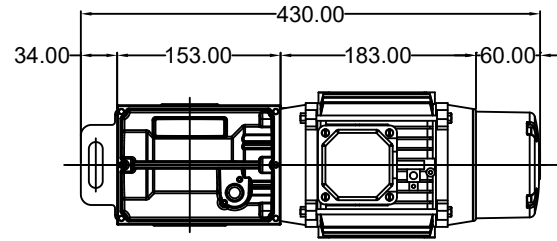
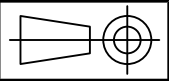
Drawn By:- R.A.H.

Date:- 22/06/07

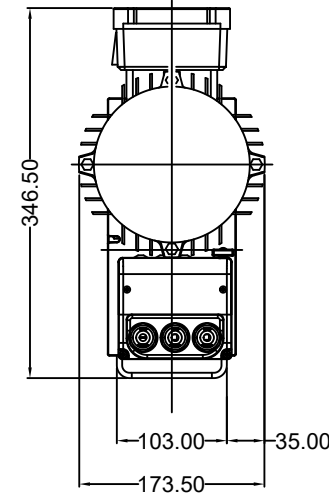
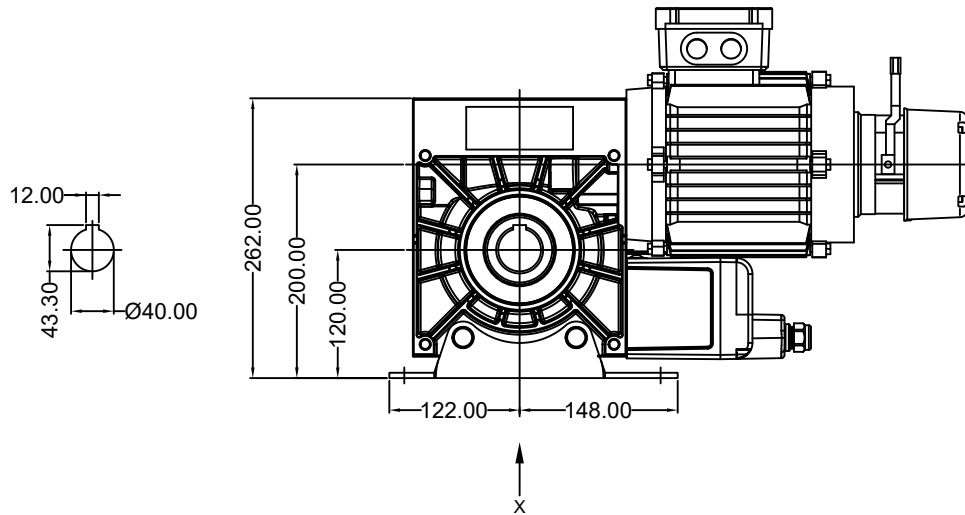
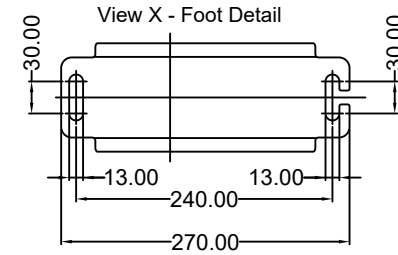
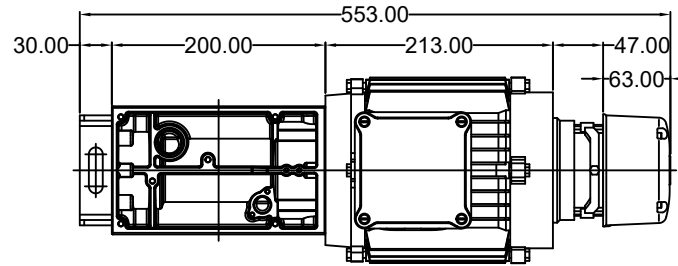
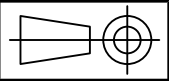
Checked By:- D.R.

Appr' By:- S.L.

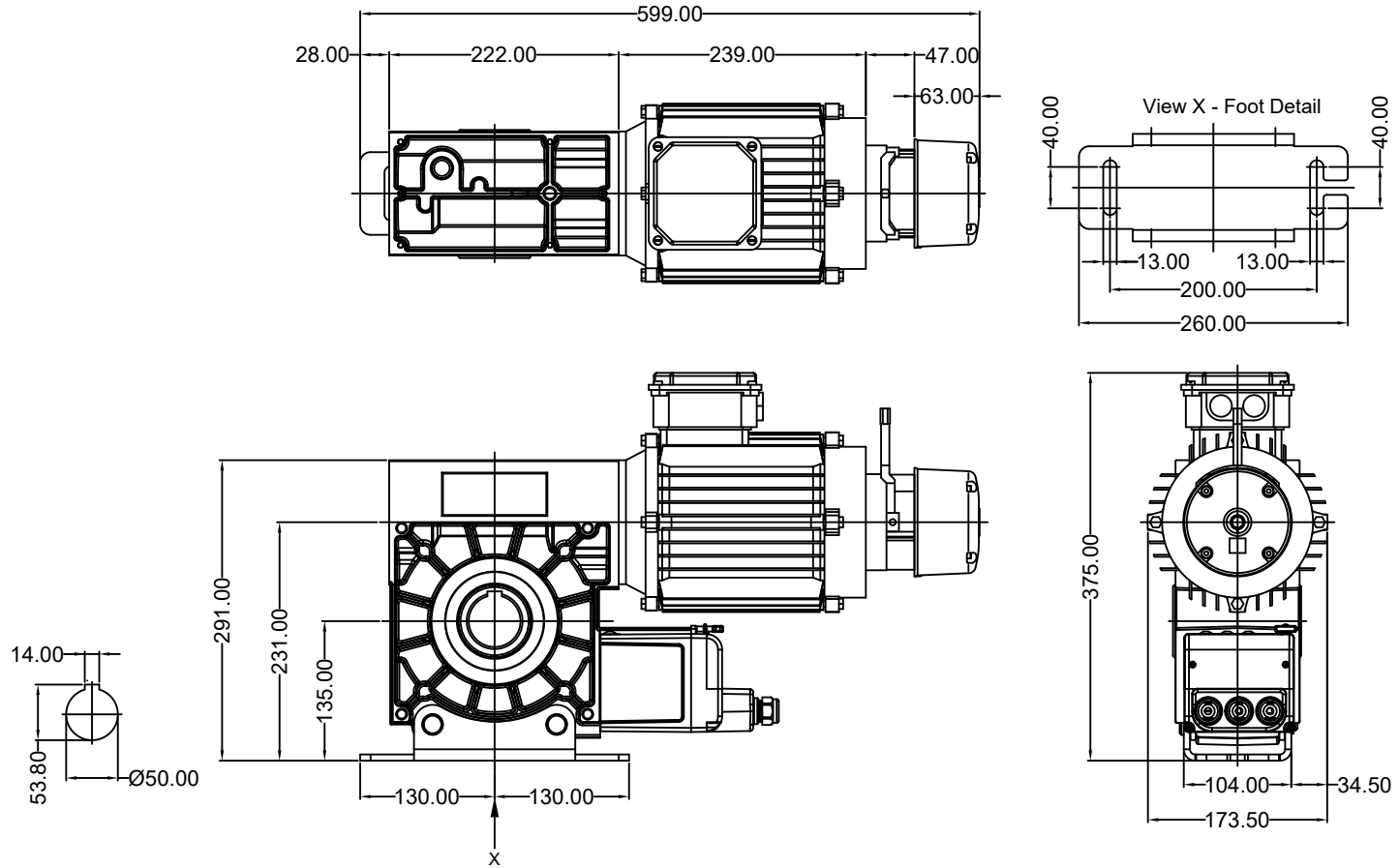
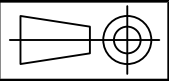
**Stock Code:** MDF2-15-12 KU Heavy Duty MLS Operator  
**Description:** 400V/50Hz/3ph / 0.75KW / 1.8A Motor Current  
 Ø30mm Bore / 150Nm / 12rpm / IP54



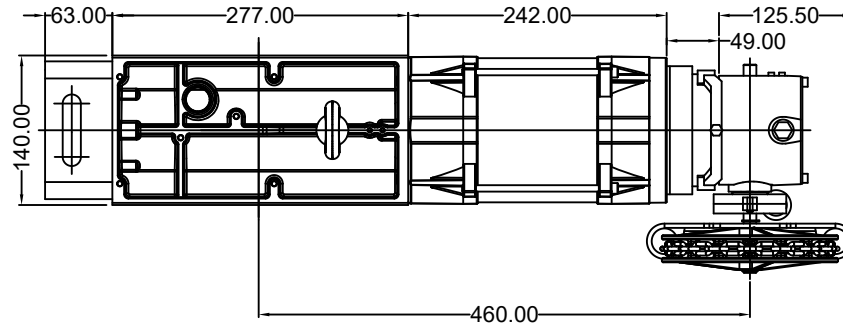
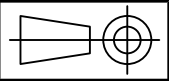
**Stock Code:** MDF3-27-12 KU Heavy Duty MLS Operator  
**Description:** 400V/50Hz/3ph / 0.75KW / 2.1A Motor Current  
 Ø40mm Bore / 270Nm / 12rpm / IP54



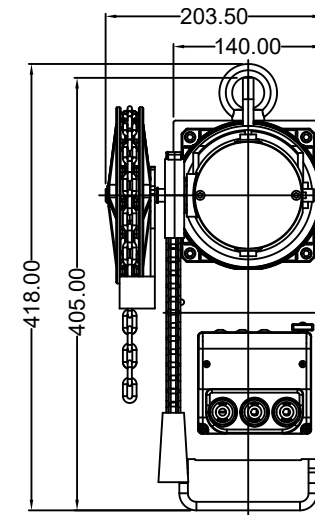
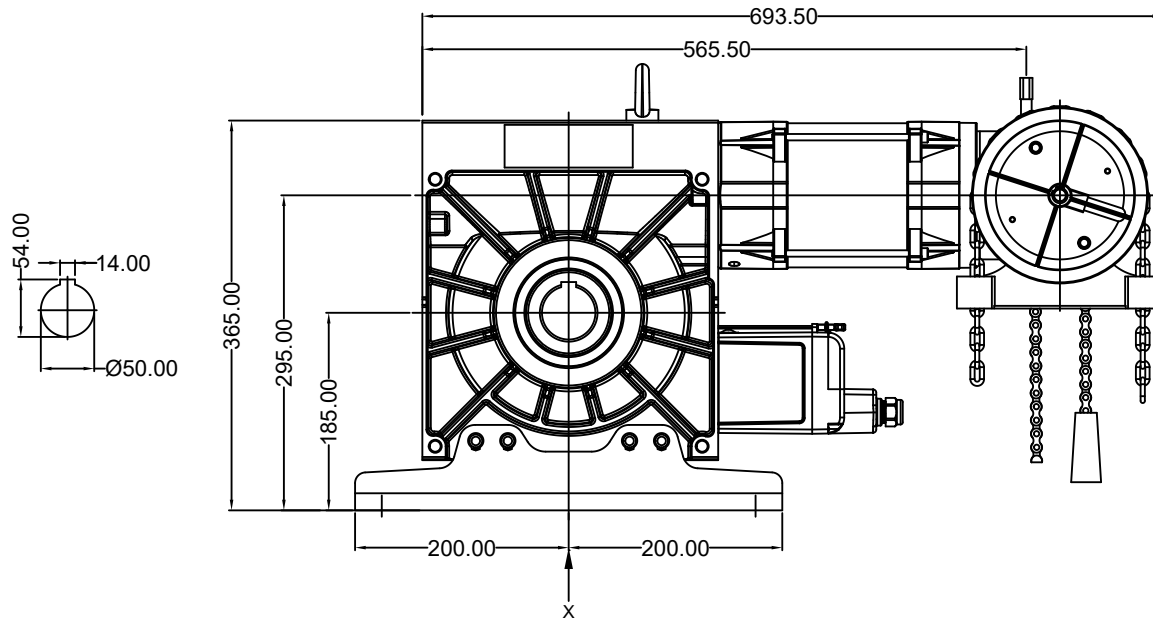
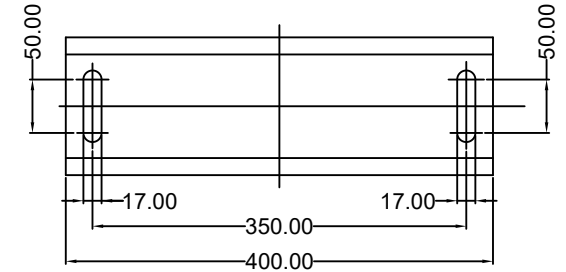
**Stock Code:** MDF5-65-10 KU Heavy Duty MLS Operator  
**Description:** 400V/50Hz/3ph / 1.1KW / 3.1A Motor Current  
 Ø50mm Bore / 650Nm / 10rpm / IP54



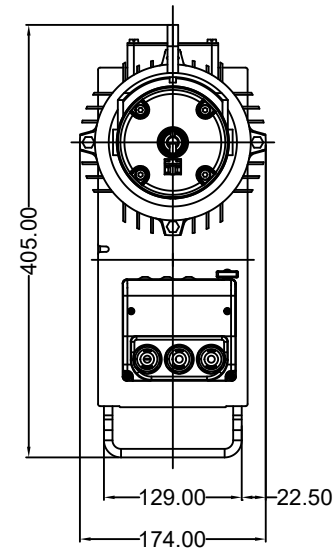
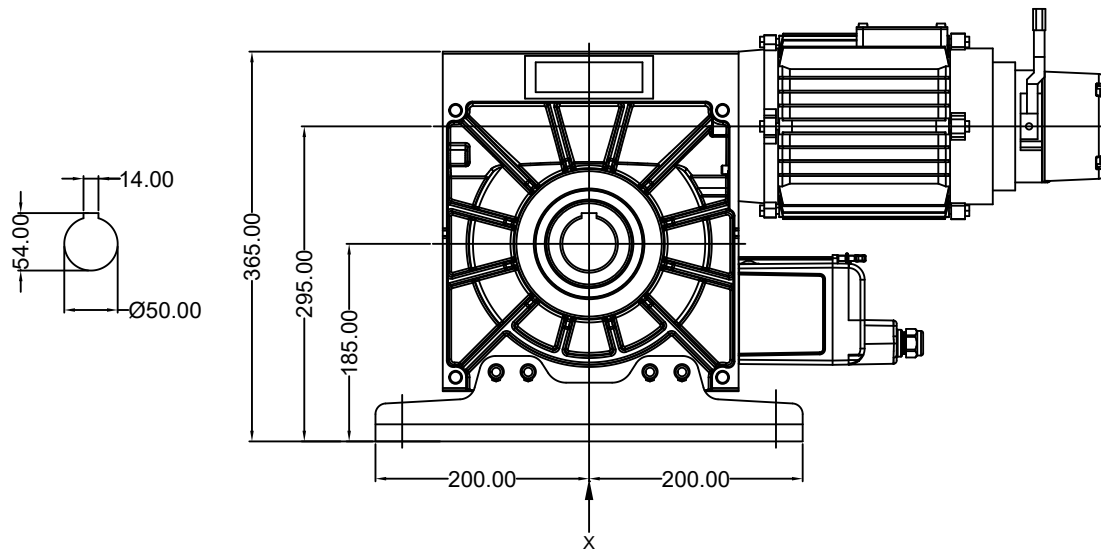
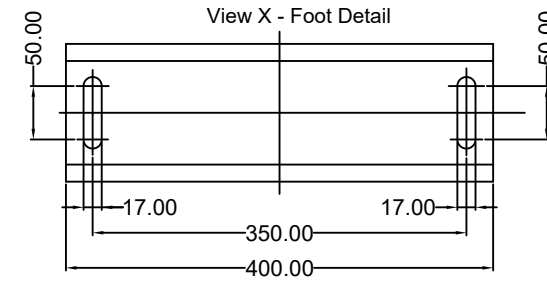
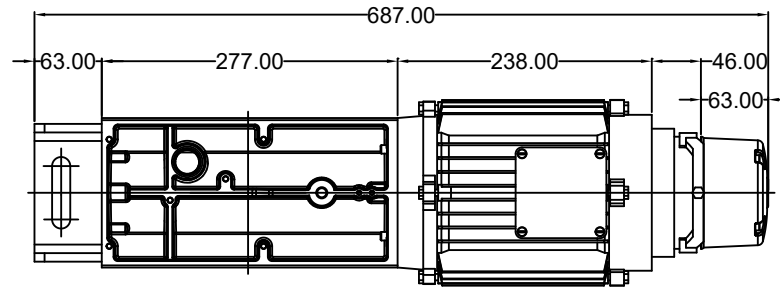
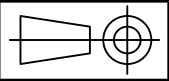
**Item:** MDF6-100-9 KE AWG Operator (Stock Code: 21-3960)  
**Description:** 400V/50Hz/3ph / 2KW / 7A Motor Current  
 Ø50mm Bore / 1000Nm / 9rpm / IP54



View X - Foot Detail



Item: MDF6-100 9rpm KU AWG HD Operator (Stock Code: 21-3963)  
 Description: 400V/50Hz/3ph / 2KW / 7A Motor Current  
 Ø50mm Bore / 1000Nm / 9rpm / IP54



**marantec**   
 engineered for you

Title:-

MFZ RANGE SHAFT MOUNTING OPERATORS  
 FOR UNSPRUNG ROLLING SHUTTER DOORS

Drawing No:- LC-2798

Page No:- 16 of 17

Revision No:- L

Rev Date:- 09/04/19

Drawn By:- R.A.H.

Date:- 22/06/07

Checked By:- D.R.

Appr' By:- S.L.



Item: SA-30-40-24 KE AWG Operator (Stock Code: 21-3040)  
 Description: 400V/50Hz/3ph / 1.7KW / 4.2A Motor Current  
 Ø40mm Bore / 400Nm / 24rpm / IP54

