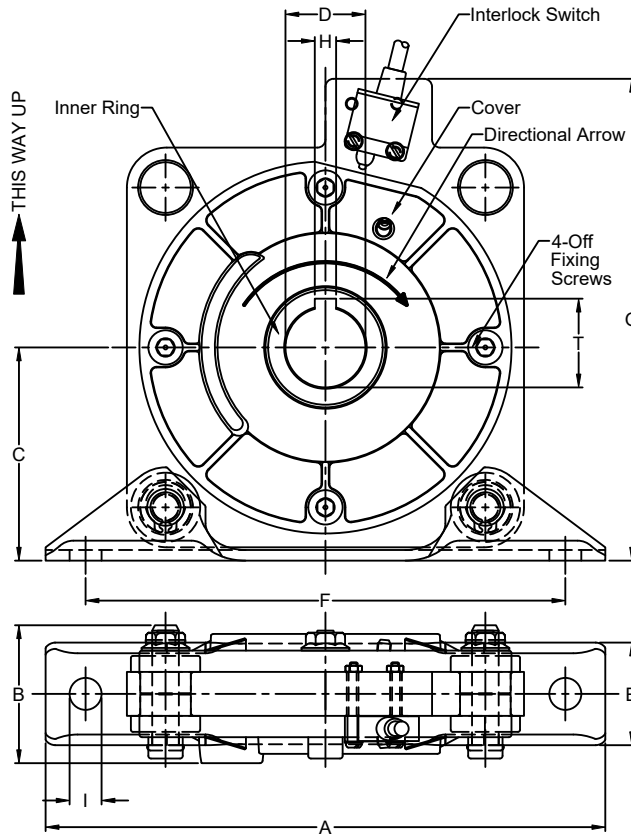


General Arrangement (Model Shown: TC 1/2)

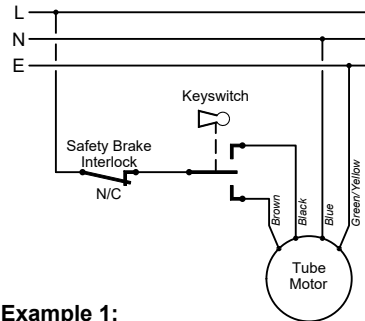


Dimensions

Model	A	B	C	D _{H7}	E	F	G	H _{J8}	I	T
TC 1/2	210	50	80	30	38.5	180	181	8	12	33.3
TC 2/3	260	57	101	40	45	230	227	12	14	43.3
TA 2/3-RD	260	50	100	40	45	230	225	12	14	43.3
TS 4-RD	340	78	150	50	56	300	285	14	22	53.5
TS 5-RD	390	90	180	65	88	340	332	18	22	69.4
TS 6-RD	470	115	220	80	111	420	415	22	26	85.4

IMPORTANT: Ensure that the brake is absolutely vertical, with the directional arrow at the top of the unit as shown opposite. Ensure directional arrow is indicating CLOSE direction.

Typical Safety Brake Connections



Example 1:
Connected to a Tube Motor

Mounting Instructions

1. The safety brake MUST be installed on the opposite side to the drive, with the Directional Arrow pointing in the Closing direction of the door.
2. Ensure that the safety brake is centrally fitted to the barrel, as any eccentric movement will cause the safety brake to actuate.
3. Ensure the drive chains are properly tightened to ensure a smooth start, thus avoiding causing the safety brake to be activated.
4. To ease installation of the safety brake, use lubricant. Never use force when fitting the safety brake.
5. Check that the drive torque at the barrel will not exceed the capacity of the safety brake.
6. If the safety brake is supplied with an interlock switch, ensure that it is connected and operational.

Visual Inspection

Once installed, check that the fixing screws are properly tightened and ensure that the interlock switch is operational.

Performance Checks

Check the safety brake by ensuring that the drop noise of the catch rolls is audible during both the forward & backward door motion.

Adjustment after Accidental Activation

Type: TC 1/2 & TC 2/3

Loosen the fixing screws and rotate the cover section until the screws are in a vertical and horizontal position.

Type: TA 2/3-RD

Loosen the locking screw at the top of the brake & the four bolts holding the casing. Turn the cover section, together with the inner ring, until the mark "Oben" is positioned at the top of the unit. Re-tighten the locking screw and the four bolts to the correct torque (See Note below).

Types: TS 4-RD, TS 5-RD & TS 6-RD

These units are constructed so that they block when they are not in the correct position. Therefore, loosen the fixing screws and rotate the cover section, together with the inner ring, as far as possible. Re-tighten the fixing screws with a torque screwdriver.

Note:-

Ensure the casing does not come apart and that the directional arrow is positioned at the top of the unit as shown overleaf.

Then tighten the fixing screws with a torque screwdriver, ensuring that the correct adjustment is achieved in relation to the table below.

Load Capacity Chart for Safety Brakes

Type	TC 1/2	TC 2/3	TA 2/3 - RD	TS 4 - RD	TS 5 - RD	TS 6 - RD
Stock Code	29-0139	29-0138	29-0153	29-0155	29-0156	29-0157
Max. Torque (Nm)	365	542	552	1017	1892	3484
Max. Intercept/Check Moment (Nm)	1444	1863	1253	3509	8230	17768
Unit Weight (Kg)	3.4	7.5	8	21	34	68
Torque Value of Fixing Screws (Nm)	20	35	37	60	50	90
Certificate No.	TorFV5/057	TorFV5/057	TorFV5/074	TorFV3/015	TorFV3/016	TorFV3/017
Max. Operating Speed (min ⁻¹)	22	22	22	18	12	10
Tube Ø	Max. Door Weight in KG's					
101,6 x 3,6	460					
108,0 x 3,6	450					
127,0 x 4,0	425		660			
133,0 x 4,0	415	500	640			
139,7 x 4,5	405	490	600			
159,0 x 4,5	375	455	580			
168,3 x 4,5	360	425	560			
178,0 x 5,0	340	420	500	930		
193,7 x 5,4	325	390	470	900		
219,1 x 5,9	290	355	440	800		
229,0 x 5,9	275	340	420	760		
244,5 x 5,9	250	310	370	720		
267,0 x 7,1	220	290	330	650	1230	
298,5 x 8,0	190	260	290	560	1115	
323,9 x 8,0		240		500	1025	
355,6 x 8,0				460	950	1735
368,0 x 8,0				440	920	1685
406,4 x 8,8				400	830	1525
419,0 x 10,0				385	800	1480
457,2 x 10,0				345	745	1370
508,0 x 11,0				310	670	1235
558,8 x 12,5					615	1130
609,6 x 12,5					570	1045
622,0 x 12,5					555	1030



Title:-

SAFETY BRAKE DETAILS

Drawing No:- LC-1577

Page No:- 2 OF 2

Revision No:- S

Rev Date:- 31/08/21

Drawn By:- R.A.H.

Date:- 18/08/99

Checked By:- M.T.

Appr' By:- S.L.