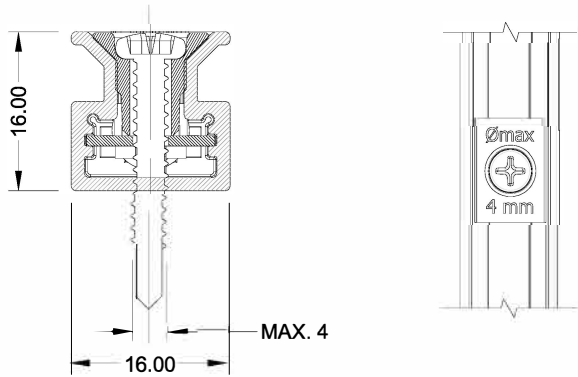
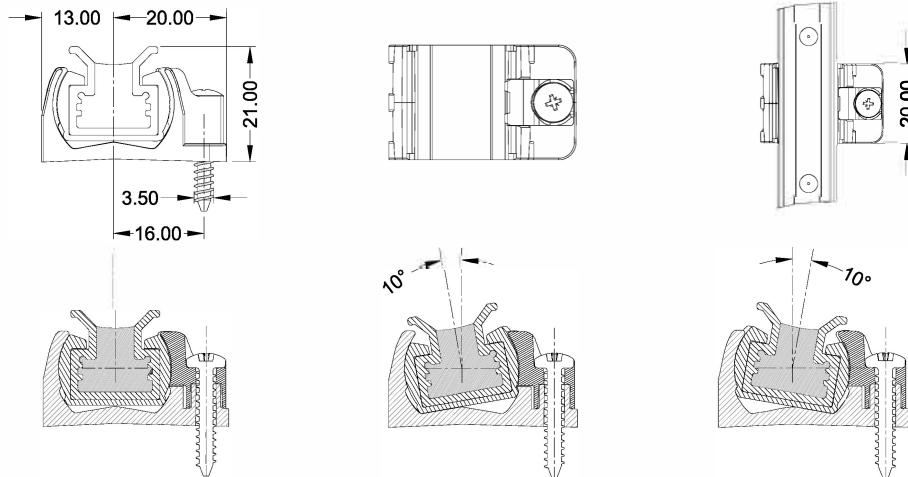


## Mounting Details

### Direct Mounting Option



### Adjustable Bracket Option



\*All measurements are in mm.

## Light Curtain Instructions (Stock Code: 33-1037 / 33-1038 )

**WARNING!** Read these instructions **FULLY** before use.  
Installation should only be carried out by a **COMPETENT** installer.



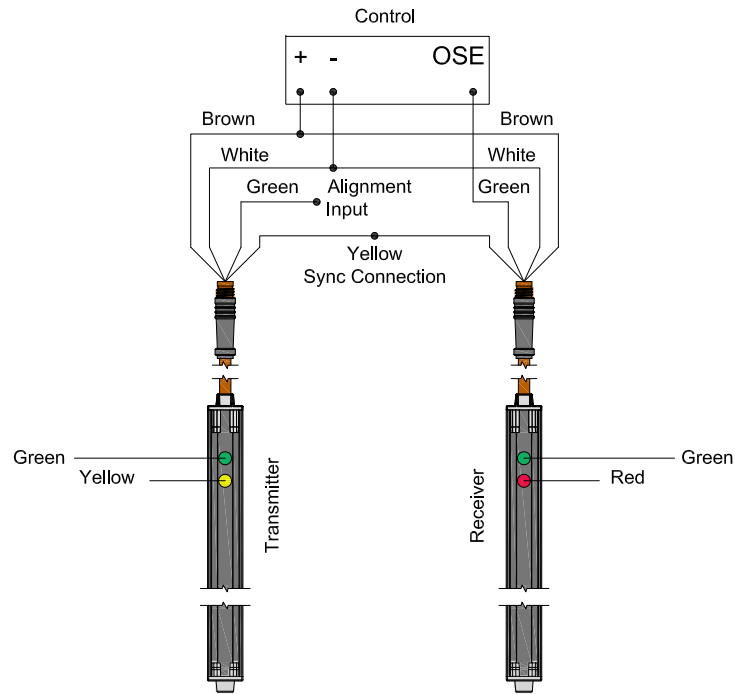
**DISCLAIMER:** Marantec UK Ltd. constantly strives to improve the quality of its goods and as such reserves the right to replace/modify products without prior notification. Any examples given are intended for guidance only.

marantec   
engineered for you

Drawing No:- LC-3024	Page No:- 1 of 4
Revision No:- B	Rev Date:- 28/10/16
Drawn By:- C.J.W.	Date:- 27/10/11
Checked By:- J.C./A.M.	Appr' By:- S.L.

## Electrical Connection - OSE

**Important!** The sync cable (yellow wire) is an internal connection between the transmitter and receiver which must not be connected with a controller.



**Note:** Reverse the brown and white cables on the transmitter to turn off the blanking function.

## Operating Mode

### Legend

- LED Lit
- ⬤ LED Flashing
- LED Off

Transmitter	
Power Supply = OK Blanking = OFF	● ○
Power Supply = OK Blanking = ON	● ●
Test (LED's flashing alternately)	● ○ ● ○ ○ ● ○ ●

Receiver	
Power Supply = OK Blanking = OFF	● ○
Power Supply = OK Blanking = ON	● ●
Test (LED's flashing alternately)	● ○ ● ○ ○ ● ○ ●

## Alignment Mode

The Mode allows for optimum alignment of the Light Curtain based on a variable flash frequency of the LED's on the receiver.

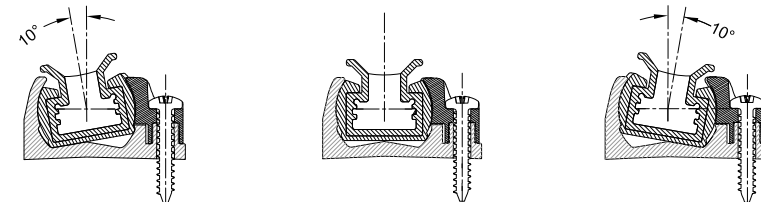
Transmitter	
Test (LED's flashing alternately)	● ○ ● ○ ○ ● ○ ●

Receiver	
Signal Reserve Less Than 2x	● ○ ● ○ ○ ○ ○ ○
Signal Reserve Greater Than 2x	● ● ● ● ○ ● ○ ●

Alignment mode is accessed by activating test or alignment mode for at least 15s and for the duration of alignment by connecting the green core on the transmitter to the brown terminal.

Rotating the transmitter and receiver increases or reduces the reception level. The more the level increases, the faster the flash frequency of the red LED will be.

When the maximum flash frequency is reached, the light curtain is optimally aligned and can be fastened in place.



## Error Mode

The Light curtain has an internal error diagnosis function which indicates errors by means of an LED pattern, depending on the type of error. In the event of an error, the light curtain switches to safe mode and the door can then only be operated in 'dead man' mode.

	Transmitter	Error Mode	Receiver	
No supply voltage	○ ○		○ ○	Check supply voltage
Receiver polarity reserved	● ● ● ● ● ● ● ●	Yellow LED Flashes 3x, long pause	○ ○	Yellow LED Flashes 3x, long pause
Short at output		Red LED flashes 2x, long pause	○ ○ ○ ○ ● ● ○ ○	Red LED flashes 2x, long pause
Error in sync cable	○ ○ ○ ○ ● ● ● ●	Yellow LED flashes 3x, long pause		Yellow LED flashes 3x, long pause
Internal device error	● ○ ● ○ ● ○ ● ○	All LEDs flashing	● ○ ● ○ ● ○ ● ○	All LEDs flashing