

Voice Simulated Warning Datasheet

Product Information

Product Data

Product Dimensions

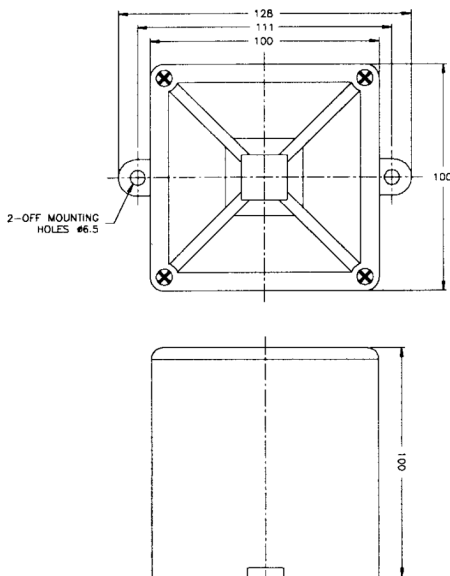


Voice Simulated Warning

Product Features



- Output Sound:- User Recordable
- Operating Voltage:- 24Vd.c. Enclosure:- IP 52
- One or Two Messages
- Intermittent Warning Tone
- Output 105db at 1 Metre



Data	Voice Simulated Warning
Nominal Input	105dB(A) @ 1m +/- 3dB - Tone 2* [96dB(A) @ 10ft/3m]
No. of Tones	49 (UK00A/PFEER compliant)
No. of Stages	3
Volume Control	Max. 105dB(A); Min. 96dB(A) - Tone 2
Voltage	16-28vdc via Zener barrier or galvanic isolator
Current	Intensive Use
Protection Level	IP67
Cable Entries	2 x M20 clearance gland knockouts. Custom configurations also available.
Operating Temperature	-40° to +60°C (-40 to +140°F)
Weight	0.75kg/1.65lbs

Please Contact Our Sales Department On 01928 579050 For Further Information