

Red Flashing Beacon Datasheet

Product Information

Product Data

Product Dimensions



Red Flashing Beacon

Product Description

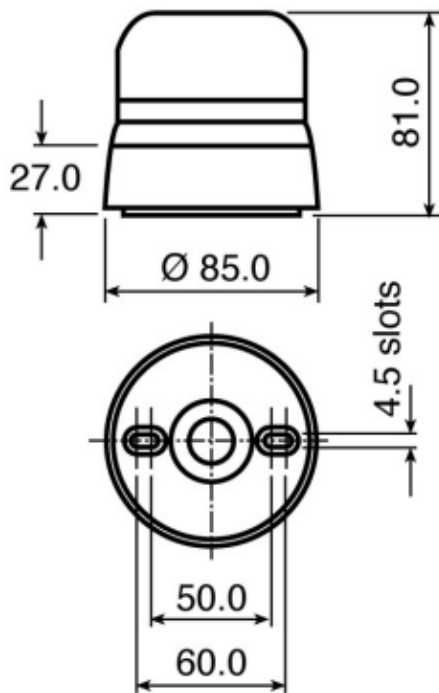


This weatherproof Flashguard beacon available from Marantec UK has xenon flash tubes and is fitted with a diffuser for greater visibility and spread of light.

The beacon has a low profile design and is constructed of high-quality polycarbonate.

Product Features

- Compact, ultra-modern sleek appearance
- Surface or box mount with rear entry cable
- Weatherproof to IP67 (with cable connector)
- White, high-quality polycarbonate housing
- Vandal-resistant safety locking mechanism



| | |
|-----------------------|--------------------|
| Supply Voltage | 24 V dc / 230 V ac |
| Light Effect | Flashing |
| Lens Colour | Red |
| Mounting Method | Surface |
| Base Diameter | Ø85mm |
| Bulb Type | Xenon |
| Housing Colour | White |
| Protection | IP67 |
| Operating Temperature | +40°C...-20°C |

Please Contact Our Sales Department On 01928 579050 For Further Information